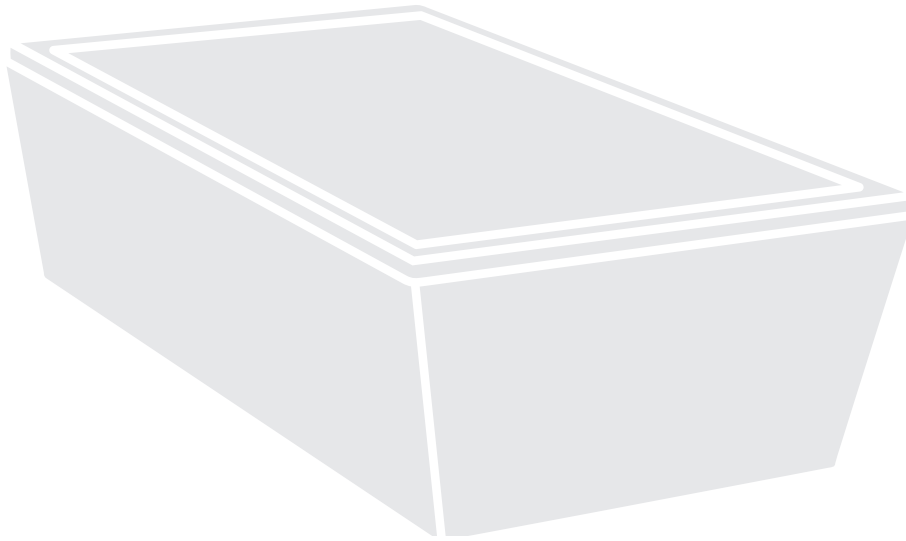


# SOVIE BED → FLOOR FIXING



*These instructions apply only when fixing to a concrete floor with no obstructions (e.g. under floor heating, cables, plumbing, etc.). When fixing to any other surface, or with obstructions, please contact your Pineapple representative for further advice.*

*N.B if fitting against coving there are several options to create a safe installation:*

- *Cut the coving in the area that the bed sits in*
- *Trim the base of the bed to fit the coving*
- *Push the bed as close to the wall as possible and infill the gap*

## REQUIRED ITEMS

### Supplied with floor fixing kit (please specify when ordering)

- 6 x softwood battens 800mm in length
- 12 x Screws 5 x 70mm for securing battens to floor
- 10 x No.12 security fixings for securing bed to battens

### Not supplied

- Anti-pick silicone sealant



+44 (0)1622 237830



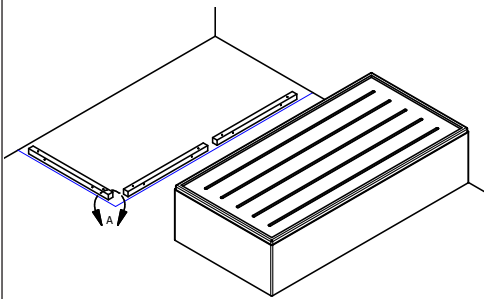
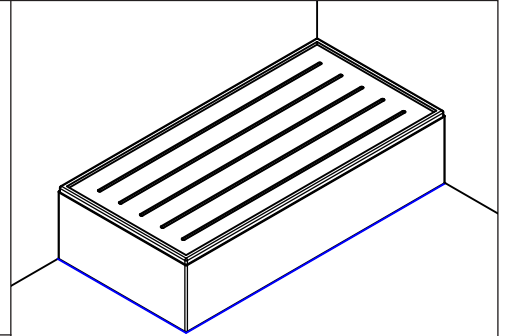
sales@pineapplecontracts.com

# Pineapple

# SOVIE BED → FLOOR FIXING

01

Remove the base panel and place bed into position in the corner of the room.  
Mark the floor around edge with a pencil.

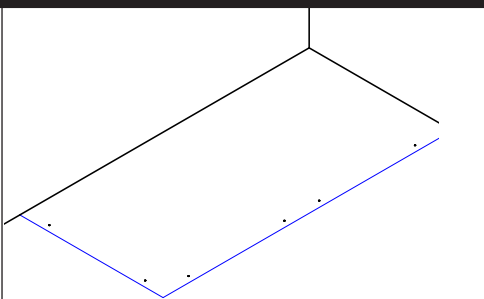
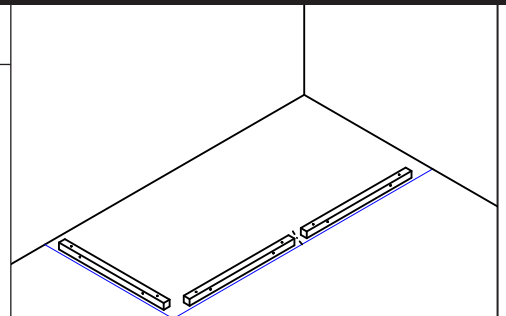


Slide bed out of the way and place battens 18mm inset from the marked line.  
Please note: battens are not required where bed meets the wall.  
For Flare models, battens at the head and foot ends should be trimmed by 100mm.

02

03

Drill through the battens deep enough to mark the floor, being mindful to avoid any structural or electrical features.



Remove the battens and continue drilling down into the floor deep enough to utilize the fixings being used (Concrete screws etc.).

04



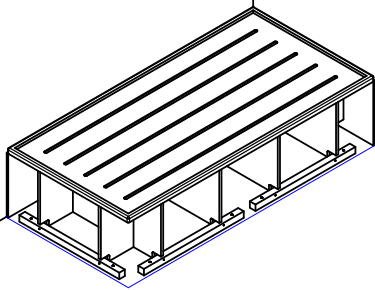
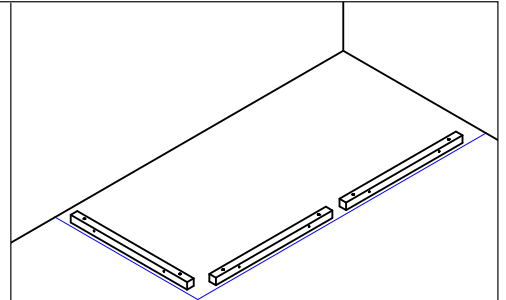
+44 (0)1622 237830  
sales@pineapplecontracts.com

**Pineapple**

# SOVIE BED → FLOOR FIXING

05

Align drilled holes on battens with the drilled holes on the floor and fix down with appropriate fixings.



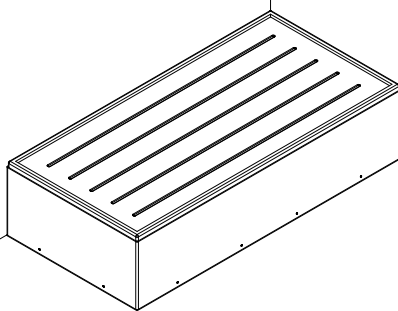
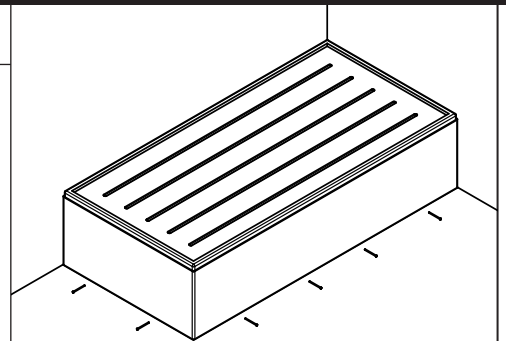
Place the bed back over the top of the battens.

The battens will sit inside the cutouts underneath the bed as shown in this illustration.

06

07

Fix through the side of the bed with appropriate anti-tamper fixings into the battens. Please use 2 fixings per batten.



Seal all edges where bed meets wall or floor with anti-pick mastic (e.g. Everbuild 109)

08



+44 (0)1622 237830

sales@pineapplecontracts.com

**Pineapple**

# DISCLAIMER

	<ul style="list-style-type: none"><li>→ Ensure the proper and adequate hardware is used to secure furniture</li><li>→ Ensure fastenings are appropriate for the anchoring material</li><li>→ Use fastenings of an appropriate strength and consider using security fixings in challenging environments</li><li>→ Consider using high strength thread-locker on fastenings in challenging environments</li><li>→ Ensure all gaps are sealed with the appropriate anti-pick mastic after product installation if necessary</li><li>→ Please read all instructions carefully to ensure proper installation. Failure to read and follow instructions may result in inadequate product installation and void of warranty</li><li>→ Pineapple shall not be held liable for any consequences caused by the improper installation of products to the installer or the end user</li></ul>



+44 (0)1622 237830

[sales@pineapplecontracts.com](mailto:sales@pineapplecontracts.com)