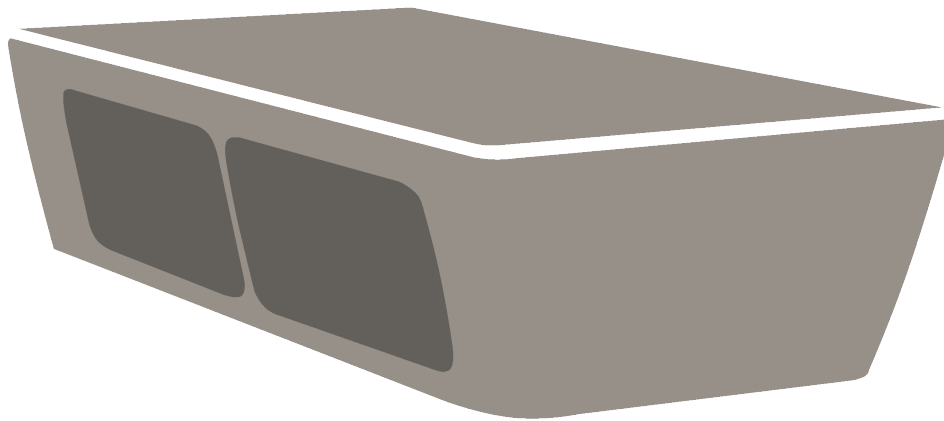


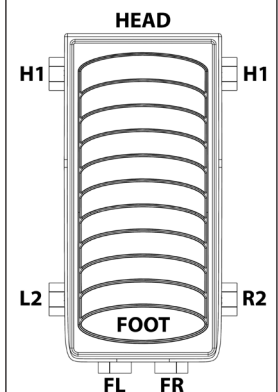
RYNO[®] BED → FLOOR FIXING



These instructions apply only when fixing to a concrete floor with no obstructions (e.g. under floor heating, cables, plumbing, etc.). When fixing to any other surface, or with obstructions, please contact your Pineapple representative for further advice

REQUIRED ITEMS

- 6 x fixing templates
(only provided with floor fixed version)
- 4 x floor brackets
(only provided with floor fixed version)
- 8 x screws
(only provided with floor fixed version)
- 1 x extra-long drill bit
(only provided with floor fixed version)
- 8 x concrete hardware fixings
- 1 x masonry drill bit
- Handheld power drill
- 1 x T25 security drill bit
- Tool bit extender



+44 (0)1622 237830

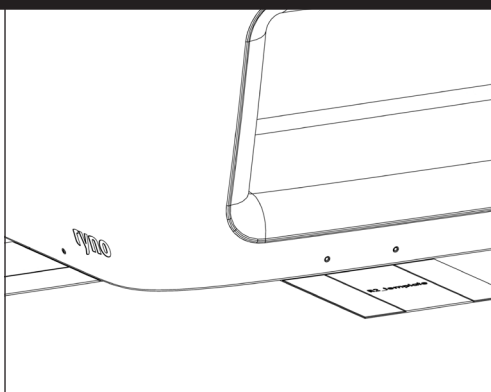
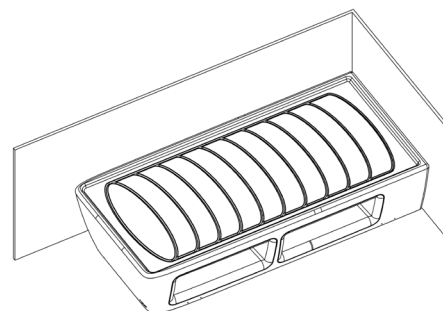
sales@pineapplecontracts.com

Pineapple

RYNO[®] BED → FLOOR FIXING

01

Place bed in desired location

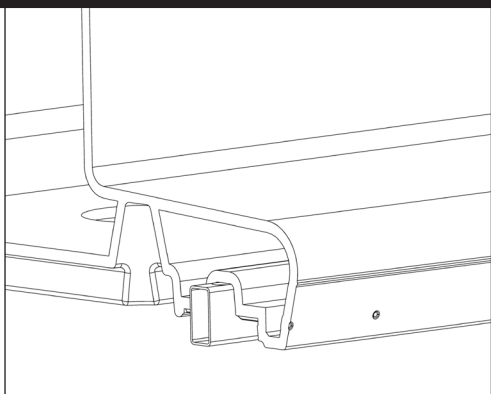
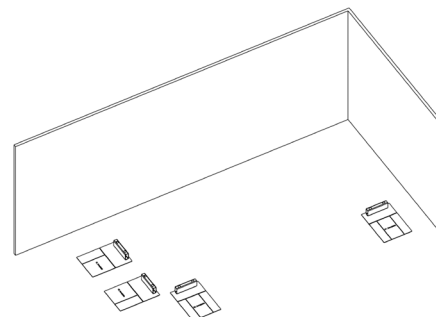


Slide templates under bed ensuring guide lines line up with the guide points and then tape guides to floor

02

03

Remove bed and use guides to mark out mounting hole for floor brackets. Drill into floor and install appropriate hardware, fixing brackets to floor with appropriate bolts



Lower bed over brackets ensuring they are located in to channel and the bed lies flat to the floor

04

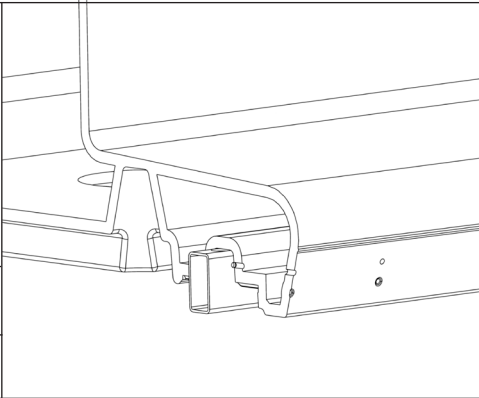
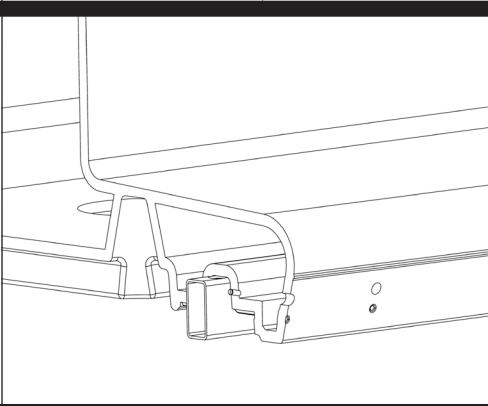
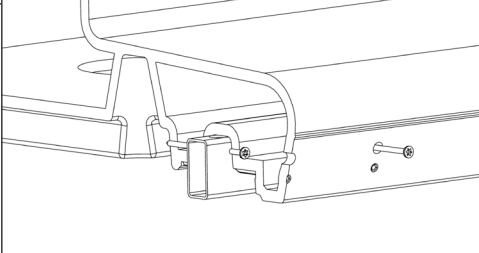


+44 (0)1622 237830

sales@pineapplecontracts.com

Pineapple

RYNO[®] BED → FLOOR FIXING

05	Drill 0.5 inches above the guide points ensuring the drill remains parallel to the floor. The drill should pierce through both sides of the steel bracket	
	Using a suitable drill bit, enlarge the initial hole being careful to only drill through the first layer of the bed shell	06
07	Install screws provided with low torque. The head of the screw should sit between 2 and 2.5 inches under the surface of the bed. A bit extender may be necessary to ensure the screw extends through both sides of the bracket.	



+44 (0)1622 237830

sales@pineapplecontracts.com

Pineapple

DISCLAIMER

	<ul style="list-style-type: none">→ Ensure the proper and adequate hardware is used to secure furniture→ Ensure fastenings are appropriate for the anchoring material→ Use fastenings of an appropriate strength and consider using security fixings in challenging environments→ Consider using high strength thread-locker on fastenings in challenging environments→ Ensure all gaps are sealed with the appropriate anti-pick mastic after product installation if necessary→ Please read all instructions carefully to ensure proper installation. Failure to read and follow instructions may result in inadequate product installation and void of warranty→ Pineapple shall not be held liable for any consequences caused by the improper installation of products to the installer or the end user



+44 (0)1622 237830

sales@pineapplecontracts.com