



KEY FEATURES

- Smooth rounded corners for safety
- 18mm MFC construction
- All edges lipped in tough 2mm PVC
- Strength and stability tested
- Compatible with Harby beds



MATERIAL/FABRICATION

Made from 18mm melamine-faced particle board with impact resistant 2mm PVC edge lipping. Corners are smooth and rounded for additional safety.

TEST STANDARDS

- Surface durability tested to BS6250
- Strength and stability tested to BS EN 15373:2007

OPTIONS

- Available in 3' single, 4' small double and 4'6" double sizes
- Available as standard or wall-fixed versions

Code	Description	Size (mm)
1HYH-300	3' standard	600H 998W 18D
1HYH-301	3' wall-mounted	870H 998W 18D
1HYH-400	4' standard	600H 1276W 18D
1HYH-401	4' wall mounted	870H 1276W 18D
1HYH-460	4'6" standard	600H 1428W 18D
1HYH-461	4'6" wall mounted	870H 1428W 18D

FINISH

Hickory

ASSEMBLY

Arrives assembled and ready to use

DELIVERY

Leadtime approximately 8 weeks

INSTALLATION/FITTING

Please advise if wall fixing is required when ordering. All products to be fitted by Pineapple (where applicable). If not, any guarantee is at risk of becoming null and void

MAINTENANCE

See our care guidelines for more information <https://uk.pineapplecontracts.com/upholstery/care-guidance/>

WARRANTY

7 year guarantee

T

+44 (0)1622 237830

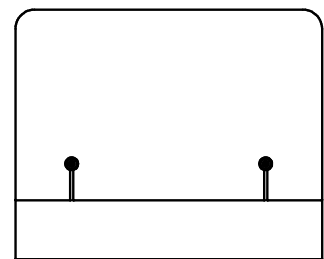
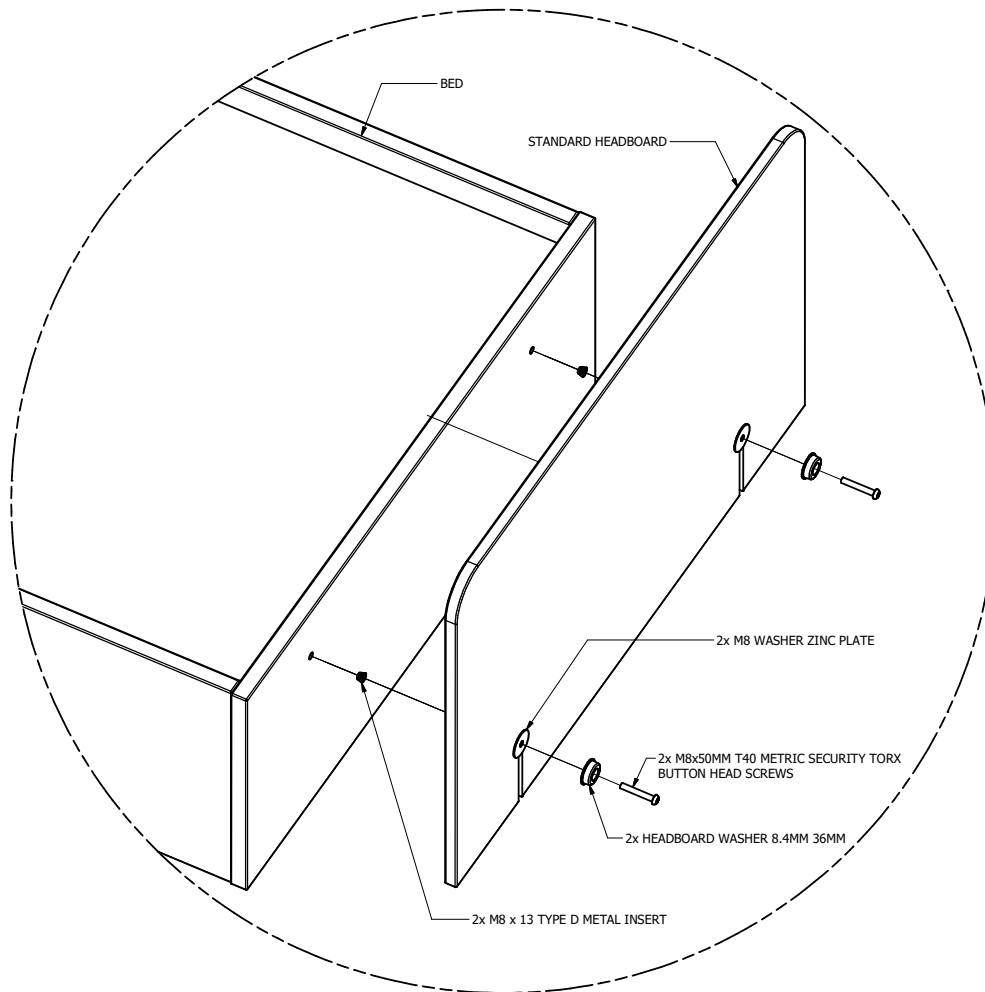
E

sales@pineapplecontracts.com

W

uk.pineapplecontracts.com

Standard headboard installation



Wall fixed headboard installation

