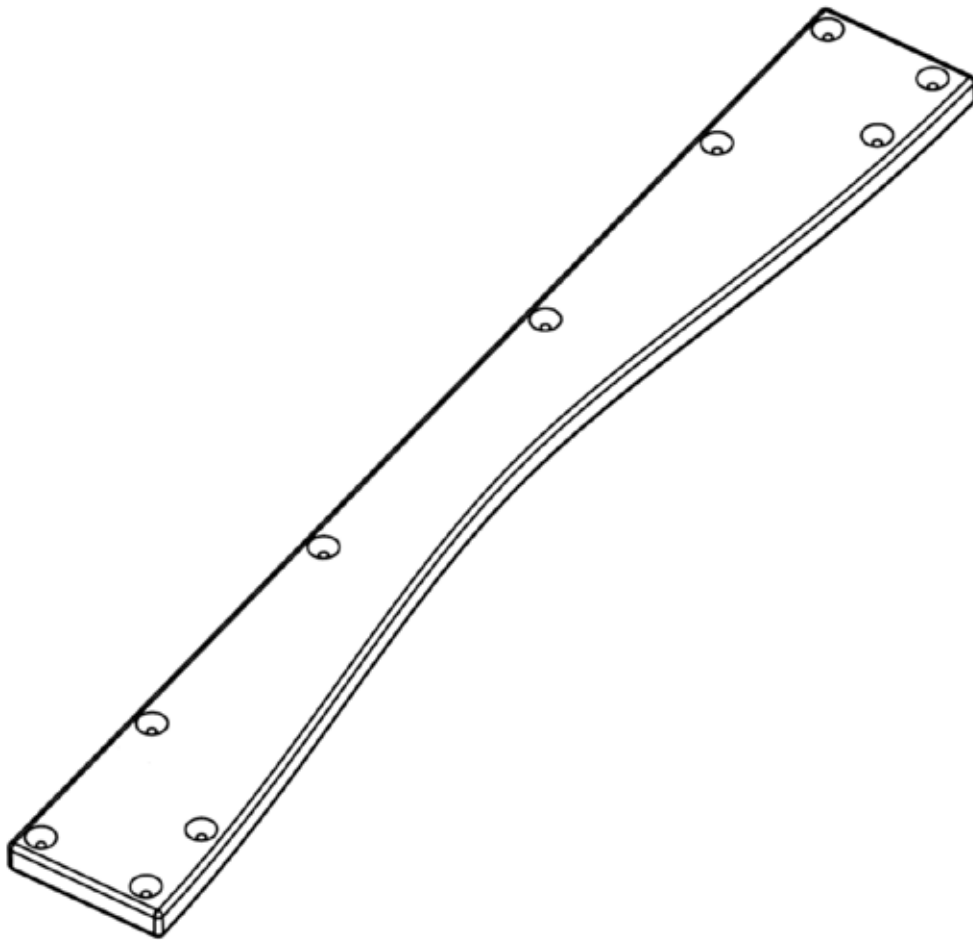


# RYNO<sup>®</sup> BED → FILLER PANEL FASTENING



## REQUIRED ITEMS

- 1x Filler Piece (*provided*)
- 10x 5mmx30mm wood screws
- 1x Handheld Power Drill
- Anti-Pick mastic

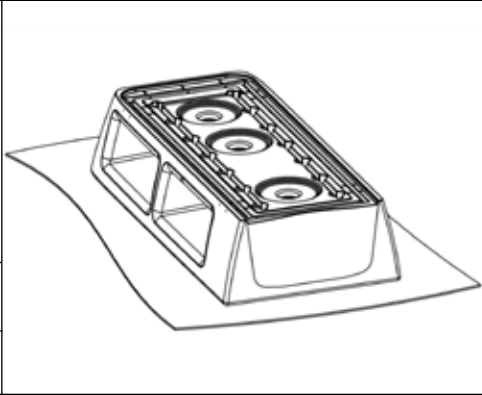
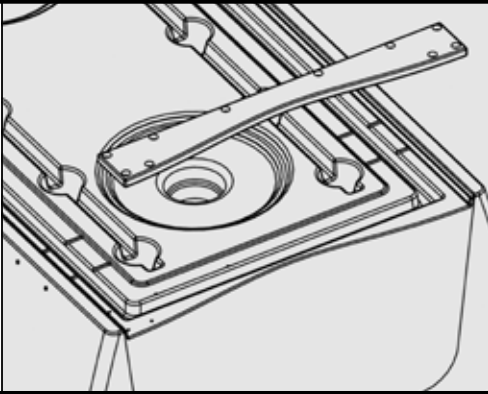
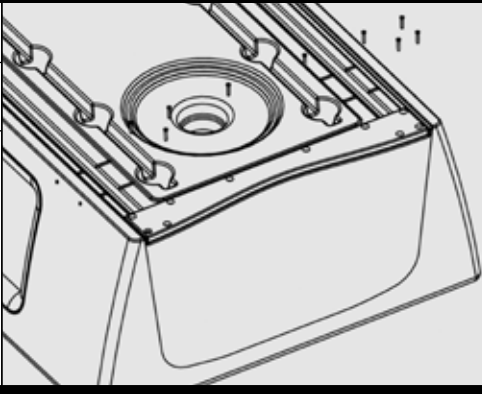
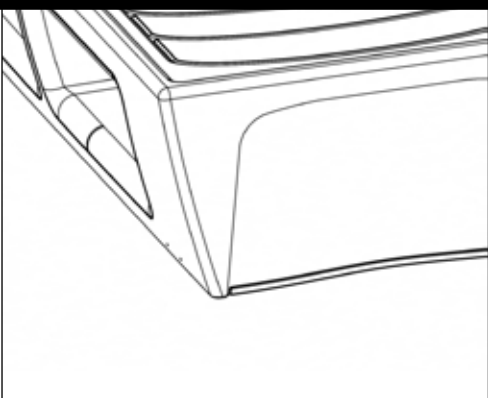



800.496.9324

[inquiries@pineapplecontracts.com](mailto:inquiries@pineapplecontracts.com)

# Pineapple

# RYNO<sup>®</sup> BED → INFILL PANEL FASTENING

<b>01</b>	Turn bed upside down on a clean surface, laying it upon a furniture blanket or suitable material to protect the bed		
	Apply mastic to one side of the Filler Piece and position over head end of bed	<b>02</b>	
			
<b>03</b>	Begin attaching Filler piece to bed ensuring minimal movement of the piece		
	Once the Filler piece is secured to the underside of the bed fill any remaining gaps with Anti-Pick Mastic	<b>04</b>	

# DISCLAIMER

	<ul style="list-style-type: none"><li>→ Ensure the proper and adequate hardware is used to secure furniture</li><li>→ Ensure fastenings are appropriate for the anchoring material</li><li>→ Use fastenings of an appropriate strength and consider using security fixings in challenging environments</li><li>→ Consider using high strength thread-locker on fastenings in challenging environments</li><li>→ Ensure all gaps are sealed with the appropriate anti-pick mastic after product installation if necessary</li><li>→ Please read all instructions carefully to ensure proper installation. Failure to read and follow instructions may result in inadequate product installation and void of warranty</li><li>→ Pineapple shall not be held liable for any consequences caused by the improper installation of products to the installer or the end user</li></ul>