



## KEY FEATURES

- Standard reinforcement provides strength and durability
- Wrap-around arm design provides comfort and support
- Loose seat and back cushions for easy cleaning
- Strength and stability tested for severe non-domestic use



### MATERIAL/FABRICATION

Helix is new soft seating range with a wrap-around arm design, that provides contoured comfort and support. This new range offers a modern, compact and durable seating solution for various challenging environments. Helix is available in an armchair, 2-Seater and 3-Seater options, with varying levels of reinforcement that make this range as strong as you need it to be.

### TEST STANDARDS

- Strength and stability tested BS EN 16139:2013 (Level 2)
- Fabrics fire retardancy - BS 7176:2007 Source 5

### OPTIONS

- Helix consists of an armchair, 2-seater and 3-seater
- Available as a Helix Plus range with additional safety features, including plywood reinforcement and weighted to 98kg (1HLX3-400)

### FINISH

Feet available in Hickory finish

### FABRICS

Available in a wide choice of fabrics including Vinyl, Waterproof, Non Waterproof and Leather

### ASSEMBLY

Arrives assembled and ready to use

### DELIVERY

Leadtime approx 8 weeks

### INSTALLATION/FITTING

No fitting required

### MAINTENANCE

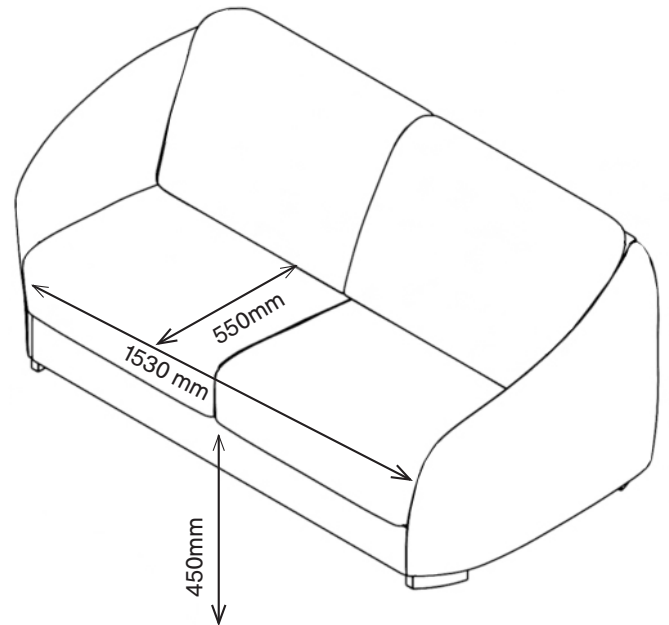
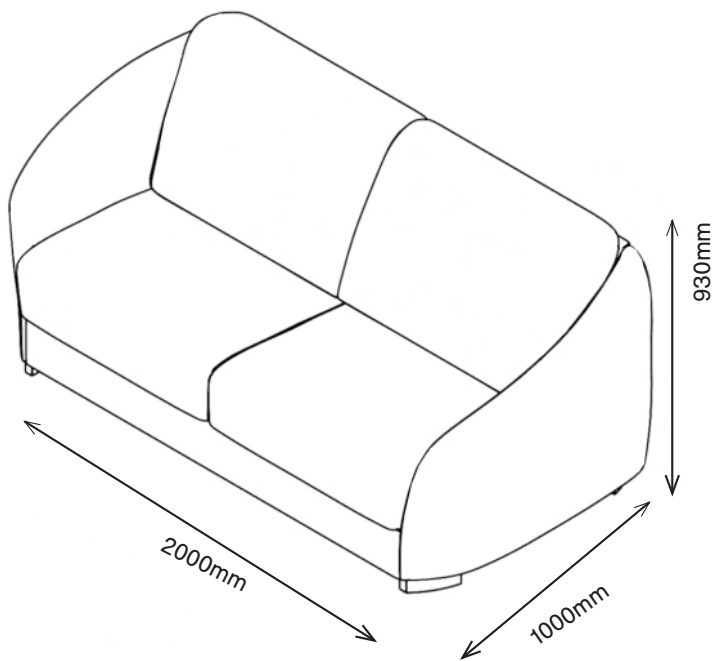
See our care guidelines for more information <https://uk.pineapplecontracts.com/upholstery/care-guidance/>

### WARRANTY

7 year guarantee (does not include fabrics)

# HELIX 3-SEATER SOFA

1HLX3-100  
930H | 2000W | 1000D (mm)  
Seat Height: 450mm



T  
E  
W

+44 (0)1622 237830  
sales@pineapplecontracts.com  
uk.pineapplecontracts.com

# Pineapple