

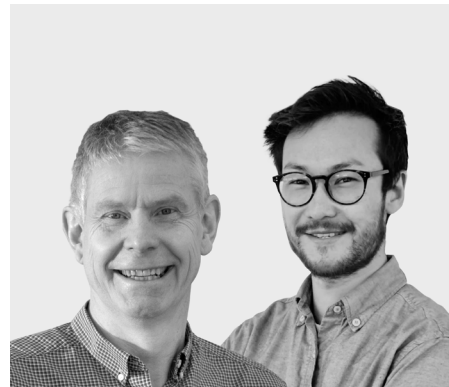
SEAL

Seamless design;  
maximum safety



Pineapple





Designed by  
Ingemar Jonsson and Ross Mclean

Made without seams or gaps, Seal is a minimalist seating range designed to reduce risk and maximise safety in challenging environments.

Seal's soft foam core is protected by a water-resistant outer skin, creating a hygienic surface which can be easily cleaned and dried, ready for re-use.

Traditional seating often features seams which can become the target of damage, and gaps which can be used for concealment or stashing.

Seal's smooth continuous shape eliminates these risks, creating safer environments for everyone.





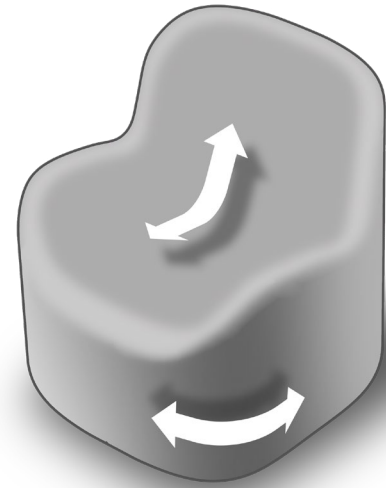




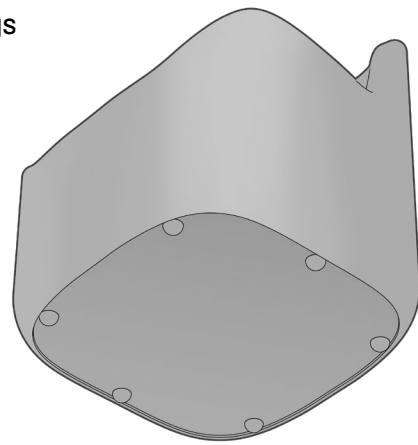
## SECURITY

Seal's seamless shape is engineered to maximise safety in challenging environments:

→ Designed without seams or gaps to minimise concealment opportunities



→ Anti-concealment base with non-accessible fixings



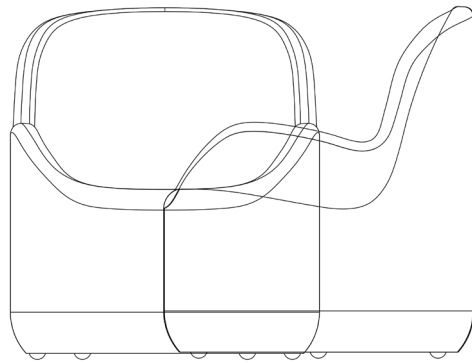
→ Subtle arms support staff in safe de-escalation practices



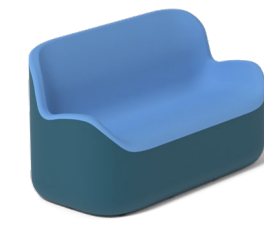
## STRENGTH AND SAFETY

→ Static load test (seat) 227kg (EN 16139:2013 Level 2)

→ Flame retardant SOFT-TEC material (BS 5852-2:1982 - Crib 5)



## RANGE



**Chair**  
840H | 750W | 700D (mm)

Unweighted (26kg) **1SAS1-00-GREY / 1SAS1-00-BLUE**  
Weighted (70kg) **1SAS1-70-GREY / 1SAS1-70-BLUE**

**2-seater**  
840H | 1500W | 700D (mm)

Unweighted (45kg) **1SAS2-00-GREY / 1SAS2-00-BLUE**  
Weighted (90kg) **1SAS2-90-GREY / 1SAS2-90-BLUE**

## COLOUR OPTIONS

Azur Blue:



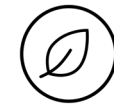
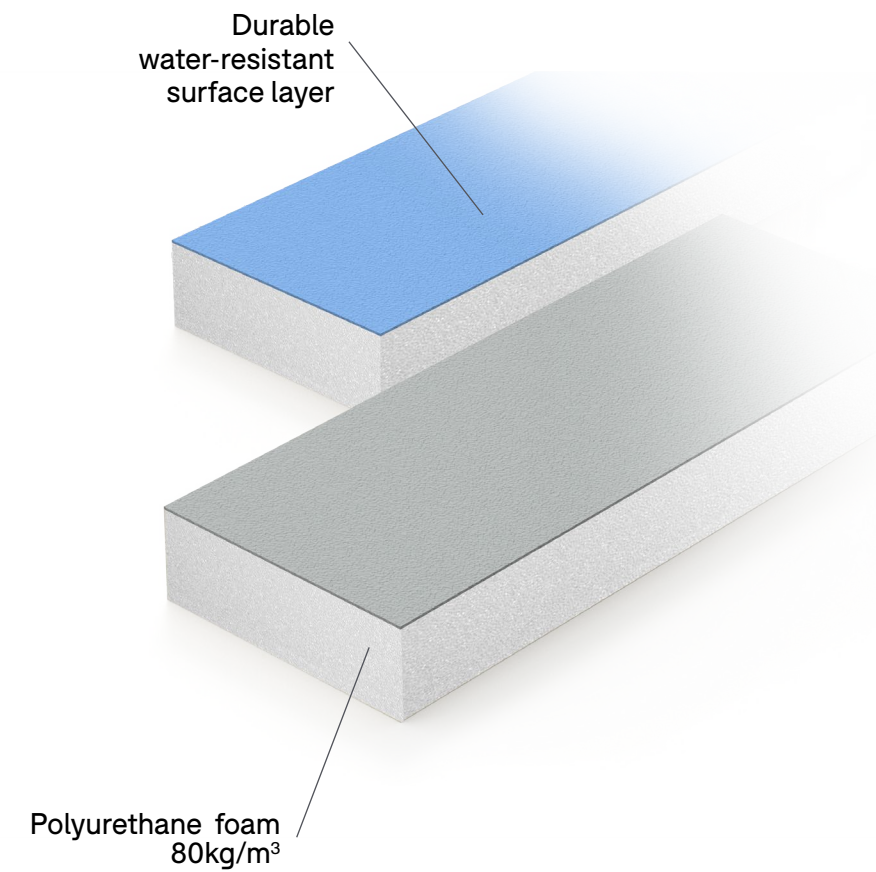
London Grey:



## MATERIAL

### SOFT-TEC™

Soft-tec is a 2-part molded polyurethane material which combines soft comfort with resistance and durability. The soft core in flexible polyurethane foam is bonded to an external water-resistant polyurethane skin.



#### Soft

Comfortable and suitable for various seating positions. Tactile soft-touch surface finish.



#### Resistant

SOFT-TEC is extremely RESISTANT to wear, tearing, shocks, laceration and abrasion thanks to the high mechanical resistance of its external polyurethane skin.



#### Water-resistant

Its elastic external polyurethane skin makes SOFT-TEC totally water resistant.



#### Fire retardant

SOFT-TEC is fire retardant in compliance with BS 5852-2:1982 - Crib 5



#### Crushproof

Its durable foam structure absorbs impact, making SOFT-TEC resistant to deformation and blows.



#### Health

SOFT-TEC is easily cleaned with a 0.1% sodium hypochlorite solution as recommended for healthcare settings. The material is lead and phthalate-free, resistant to mildew and complies with Reach Art. 33 for presence of SVHC.







## CARE AND MAINTENANCE

We recommend the use of the procedure indicated by the World Health Organization, as follows:

- Surfaces can be cleaned with a solution of water and 0.1% sodium hypochlorite (the solution is obtained by adding 50ml of 5% household bleach in 2.5 liters of water)
- The resulting mix fights bacteria and germs, thus ensuring disinfection and cleanliness

# See for yourself...

To arrange a demonstration or book a visit to our showroom, please call +44 (0)1622 237830

Pineapple, Westmead, Aylesford, Maidstone, Kent, ME20 6XJ

T

+44 (0)1622 237830

E

[sales@pineapplecontracts.com](mailto:sales@pineapplecontracts.com)

W

[uk.pineapplecontracts.com](http://uk.pineapplecontracts.com)

**Pineapple**