

HELIX PLUS ARMCHAIR

1HLX1-400

930H | 1030W | 1000D (mm)

Seat Height: 450mm

Weight: 48kg



KEY FEATURES

- Reinforced seat platform as standard for improved durability
- Wrap-around arm design provides comfort and support
- Loose seat and back cushions for easy cleaning
- Strength and stability tested for severe non-domestic use
- Seat static weight tested to 200kg



MATERIAL/FABRICATION

Helix is new soft seating range with a wrap-around arm design, that provides contoured comfort and support. This new range offers a modern, compact and durable seating solution for various challenging environments. Helix is available in an armchair, 2-Seater and 3-Seater options, with varying levels of reinforcement that make this range as strong as you need it to be.

TEST STANDARDS

- Strength and stability tested BS EN 16139:2013 (Level 2)
- Fabrics fire retardancy - BS 7176:2007 Source 5

OPTIONS

- Helix consists of an armchair, 2-seater and 3-seater
- Available in a standard Helix range

FINISH

Feet available in Hickory finish

FABRICS

Available in a wide choice of fabrics including Vinyl, Waterproof, Non Waterproof and Leather

ASSEMBLY

Arrives assembled and ready to use

DELIVERY

Leadtime approx 8 weeks

INSTALLATION/FITTING

No fitting required

MAINTENANCE

See our care guidelines for more information <https://uk.pineapplecontracts.com/upholstery/care-guidance/>

WARRANTY

7 year guarantee (does not include fabrics)

T
E
W

+44 (0)1622 237830

sales@pineapplecontracts.com

uk.pineapplecontracts.com

Pineapple

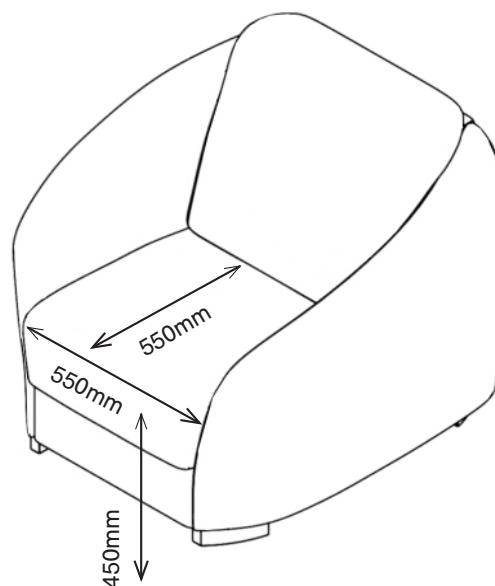
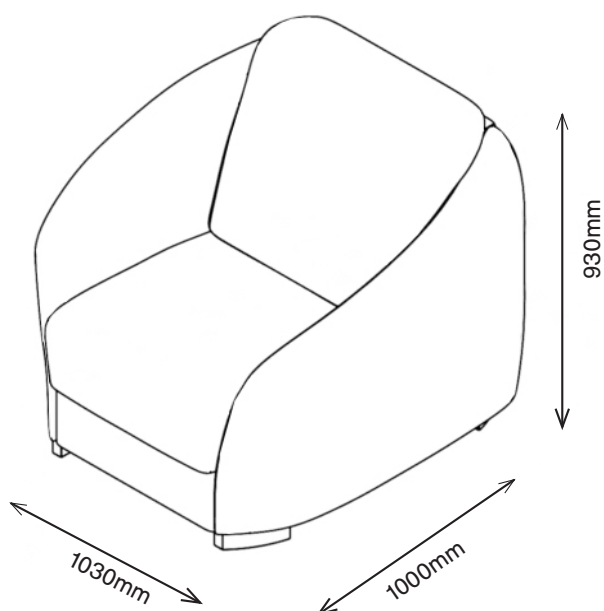
HELIX PLUS ARMCHAIR

1HLX1-400

930H | 1030W | 1000D (mm)

Seat Height: 450mm

Weight: 48kg



T
E
W

+44 (0)1622 237830

sales@pineapplecontracts.com

uk.pineapplecontracts.com

Pineapple