

CADREGA DINING CHAIR WITH ARMS

1CGD1-400

800H | 600W | 550D (mm)

Seat Height: 440mm

Weight: 9kg



KEY FEATURES

- Stackable dining chairs (4 high) with a minimalist design ethos
- Hygiene-gap between seat and back to prevent dirt and dust gathering
- Seat static weight tested to 227kg
- Solid birch legs and frame



MATERIAL/FABRICATION

Elegantly styled and compact in size, stackable for easy storage when not in use (4 high). Cushioned areas made from fire retardant, high density CMHR (combustion modified high resilience) foam is safe for both users and staff.

TEST STANDARDS

- Fire retardant to BS7176:2007 source 5
- Strength and stability tested to BS EN 16139:2013 level 2
- Seat static weight tested to 227kg

OPTIONS

- Available with pressure relieving foam to reduce the risk of pressure ulcers
- Matching Cadrega Lounge chairs available
- without arms version available (see below)

1CGD1-300
800H | 500W | 555D (mm)
Seat Height: 440mm
Weight: 8.5kg



COLOUR/FINISH

Solid birch legs and frame

FABRIC

Available in a wide choice of fabrics including Vinyl, Waterproof, Non Waterproof and Leather

ASSEMBLY

Arrives assembled and ready to use

DELIVERY

Lead time 8 weeks

INSTALLATION/FITTING

No fitting required

MAINTENANCE

See upholstered furniture section of our care guidelines <https://uk.pineapplecontracts.com/upholstery/care-guidance/>

WARRANTY

7 year guarantee (does not include fabrics)

T

+44 (0)1622 237830

E

sales@pineapplecontracts.com

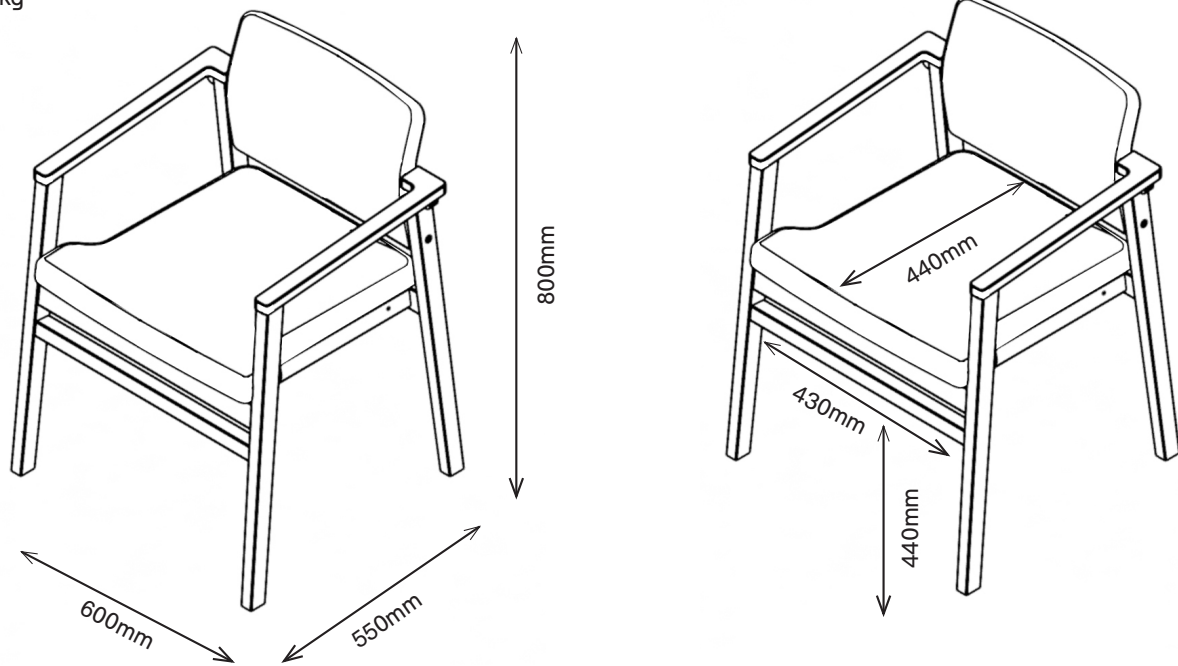
W

uk.pineapplecontracts.com

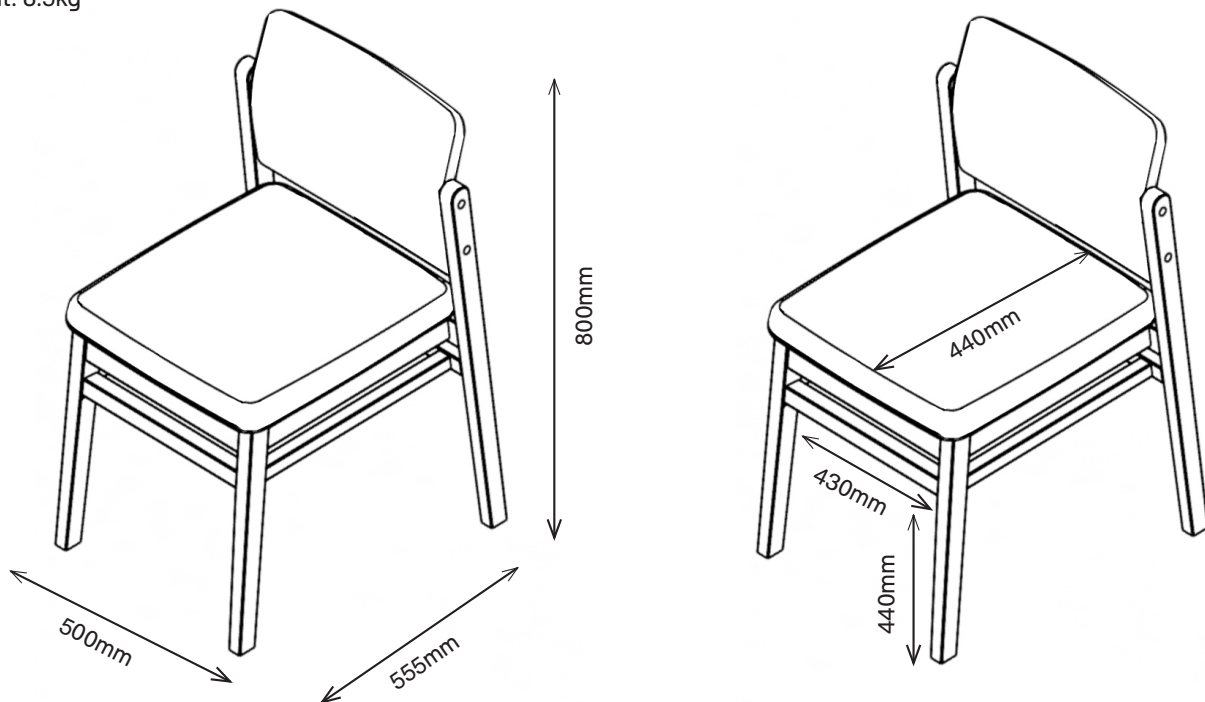
Pineapple

CADREGA DINING CHAIR WITH ARMS

1CGD1-400
800H | 600W | 550D (mm)
Weight: 9kg



1CGD1-300
800H | 500W | 555D (mm)
Weight: 8.5kg



T
E
W

+44 (0)1622 237830
sales@pineapplecontracts.com
uk.pineapplecontracts.com

Pineapple