

BOLD

Strength and
resilience, built-in



Pineapple



Designed by
Javier Moreno

Bold is a versatile stacking chair with strength and resilience built-in.

Designed with strength in mind, the legs are joined together, forming a strong and durable sled base which reduces stress on each leg in normal use and helps to protect against damage under extreme treatment.

Bold's injection moulding manufacturing process further contributes to its strength.

Inert gas is injected while the plastic is still molten, creating hollow sections which are both lighter and stronger than an equivalent solid section.

Bold chairs are made from a recyclable polymer which contains strength-enhancing additives, greatly improving both compressive strength (e.g. a heavy weight) and impact strength (e.g. a striking action) making them perfectly suited to challenging environments.



Bold chair Moonwalk
1BLD-00-MG
 790H | 520W | 500D (mm)
 Seat Height: 450mm
 Weight: 5.8kg



Bold chair Cool Green
1BLD-00-CG
 790H | 520W | 500D (mm)
 Seat Height: 450mm
 Weight: 5.8kg



Bold chair White
1BLD-00-W
 790H | 520W | 500D (mm)
 Seat Height: 450mm
 Weight: 5.8kg

KEY FEATURES

- Versatile stacking chair perfect for bedrooms, learning spaces and cafés
- Robust sled design minimises stress on individual legs, reducing the risk of damage in challenging environments
- Water-resistant, hygienic and easy to clean
- Made from 100% recyclable Polypropylene material, with additives which greatly increase impact resistance and compressive strength
- Strength and stability tested for severe non-domestic use (BS EN 16139:2013 - Level 2)

OPTIONS

- Available with water-resistant seat pad (grey) for added comfort
- Available in Moonwalk Grey, Cool Green and White





Pictured with Ryno® pedestal table





Pictured with Cumulus dining table



Pictured with Acumen bedroom range

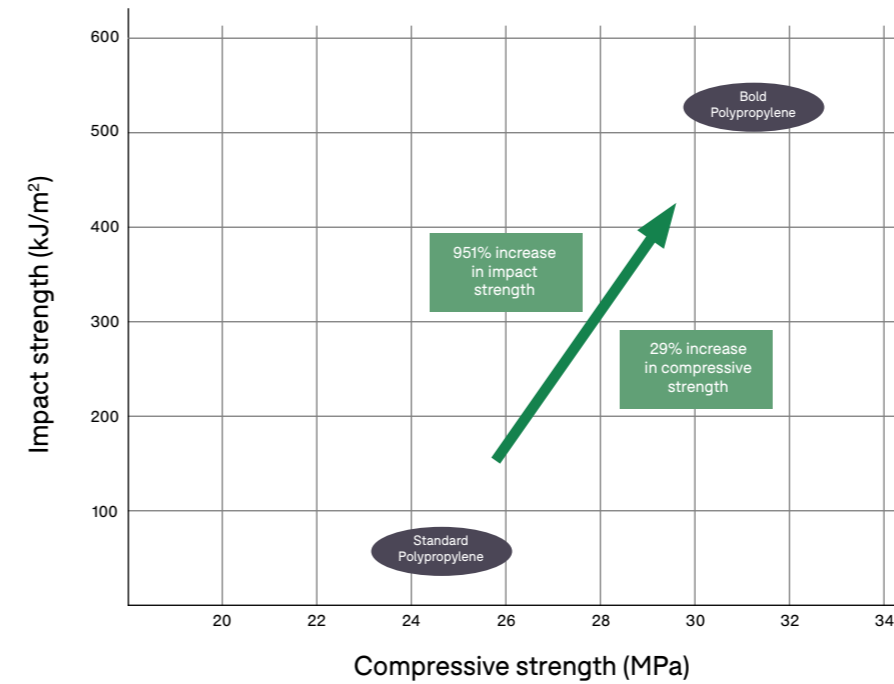


DESIGNED FOR EXTREME STRENGTH & DURABILITY



MATERIAL

→ Bold's specially developed polymer contains strength-enhancing additives to greatly improve both compressive strength (e.g. a heavy weight) and impact strength (e.g. a striking action)



→ With excellent chemical resistance, Bold chairs can be regularly cleaned with disinfectant wipes (e.g. Clinell/Chlorox)

→ Made from 100% polypropylene, when Bold chairs reach the end of their useful life, or are no longer required, they can be ground into powder and recycled to make new products

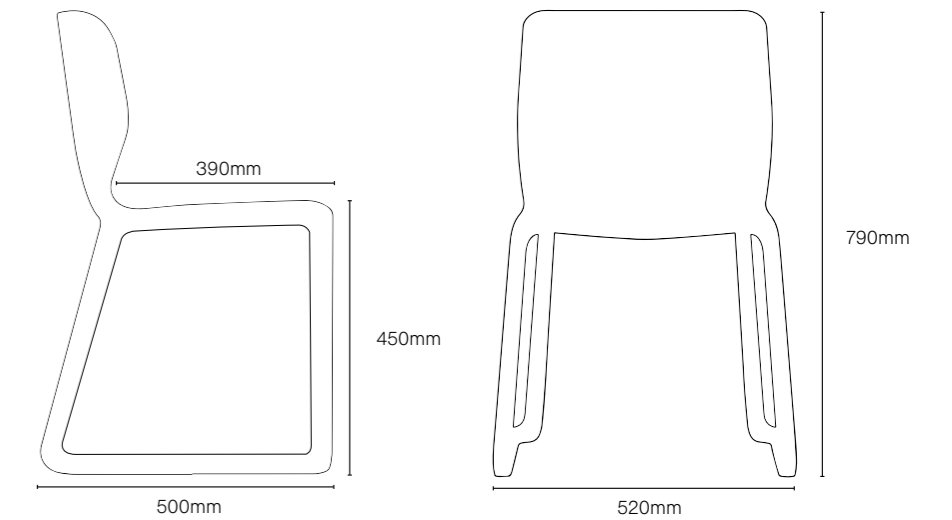


ADDED COMFORT

- Bold's optional seat pad features a soft foam core coated in a seamless water-resistant surface
- Anti-microbial protection (approved by HSE, FDA and EPA)
- Applied with ultra-strong adhesive instead of fixings for safety
- Material meets flammability standard FMVSS 302



DIMENSIONS



See for yourself...

To arrange a demonstration or book a visit to our showroom, please call
+44 (0)1622 237830

Pineapple, Westmead, Aylesford, Maidstone, Kent, ME20 6XJ

T	+44 (0)1622 237830
E	sales@pineapplecontracts.com
W	uk.pineapplecontracts.com

Pineapple