

# RUBUS PLUS ANTI-CONCEALMENT 3-SEATER

IRS3-900

890H | 2000W | 940D (mm)

Seat Height: 445mm



## KEY FEATURES

- Full plywood reinforcement for added strength
- Fully enclosed base to prevent concealment
- Seat, back and arms upholstered separately and securely bolted together
- Stylish chrome feet with nylon glides to protect flooring
- Low back design provides modern look and good visibility for staff



### MATERIAL/FABRICATION

Constructed from a solid timber frame with plywood reinforcement for strength and durability. The Rubus range's wide stance gives it a reassuring, stable presence and its broad angled arms deliver supportive comfort. The low back design provides a modern look and good visibility for staff. Modern chrome feet complete the package, making Rubus a reliable all-round option. Additional reinforcement in the Plus range makes it perfect for demanding environments. Cushioned areas made from fire retardant, CMHR (combustion modified high resilience) foam is safe for both users and staff

Rubus Plus incorporates an improved anti-concealment system. Seat, back and arms upholstered separately and bolted together improves the life of the product and reduces the need of aftersales care.

### TEST STANDARDS

- Fire retardant to BS7176:2007 source 5
- Strength and stability tested to BS EN 16139:2013 (Test Level 2)

### OPTIONS

- Available in Standard or Plus Anti-Concealment levels of reinforcement
- Wide choice of fabrics including water and MRSA resistant

### COLOUR/FINISH

Feet available in Chrome

### FABRIC

Available in a wide choice of fabrics including Vinyl, Waterproof, Non Waterproof and Leather

### ASSEMBLY

Arrives assembled and ready to use

### DELIVERY

Lead time 8 weeks

### INSTALLATION/FITTING

No fitting required

### MAINTENANCE

See upholstered furniture section of our care guidelines <https://uk.pineapplecontracts.com/upholstery/care-guidance/>

### WARRANTY

7 year guarantee (does not include fabrics)

T

+44 (0)1622 237830

E

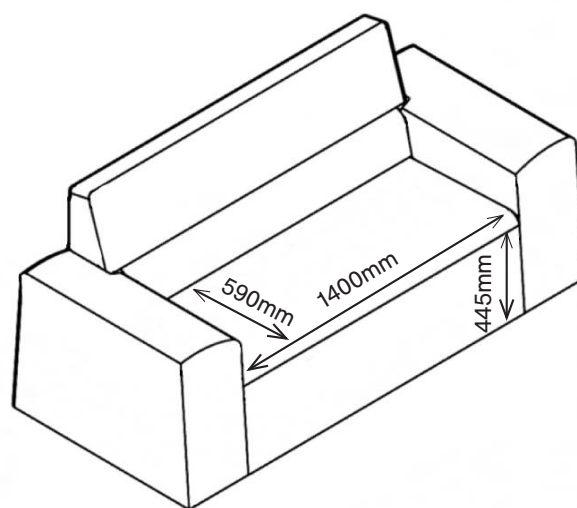
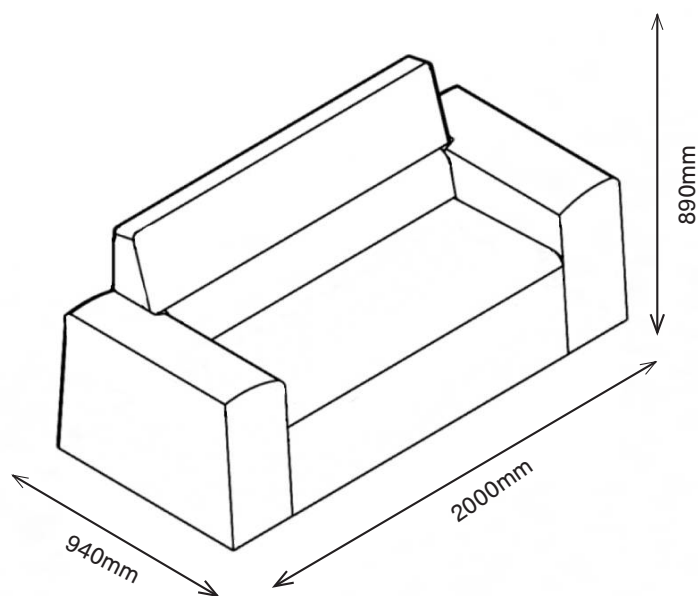
sales@pineapplecontracts.com

W

uk.pineapplecontracts.com

# Pineapple

# RUBUS PLUS ANTI-CONCEALMENT 3-SEATER



T  
E  
W

+44 (0)1622 237830

[sales@pineapplecontracts.com](mailto:sales@pineapplecontracts.com)

[uk.pineapplecontracts.com](http://uk.pineapplecontracts.com)

# Pineapple