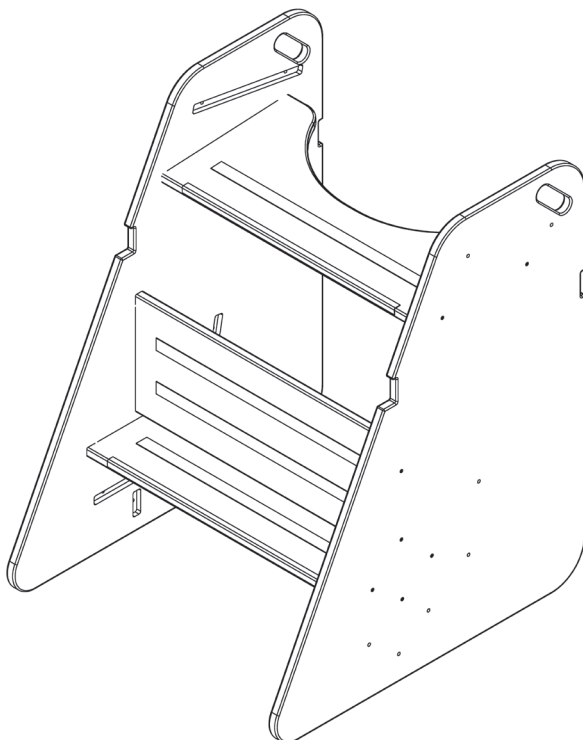
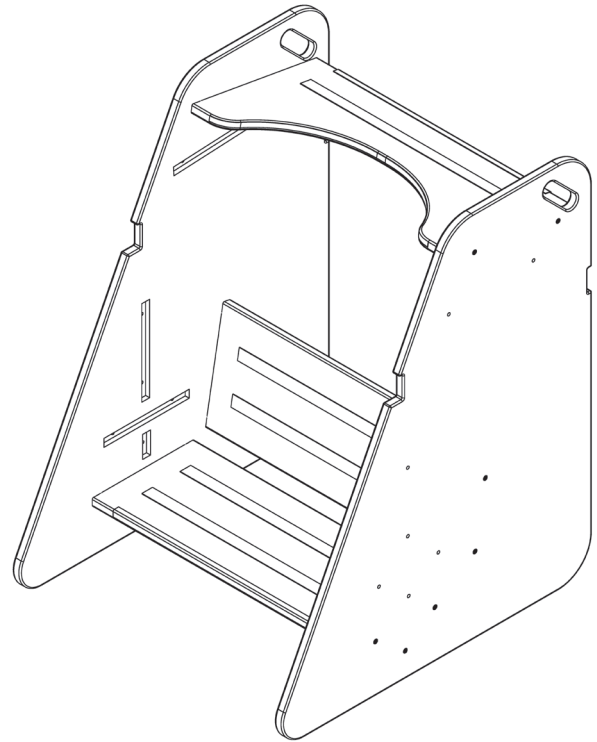


ARC BASIN STAND

→ ASSEMBLY GUIDE

WITH/WITHOUT STORAGE

→ STAND ASSEMBLY GUIDE



ACCESSIBLE

→ STAND ASSEMBLY GUIDE

Version 1.5 release date: 13/04/2026

T

UK +44 (0)1622 237830

US +1 800.496.9324

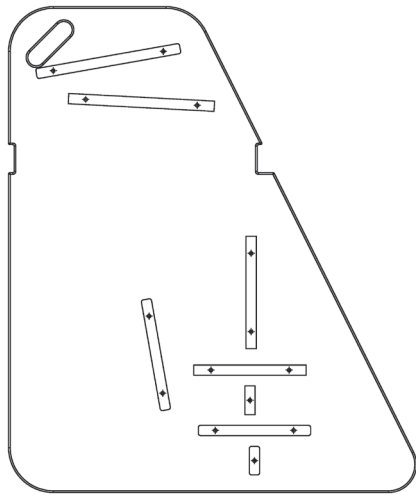
E

UK sales@pineapplecontracts.com

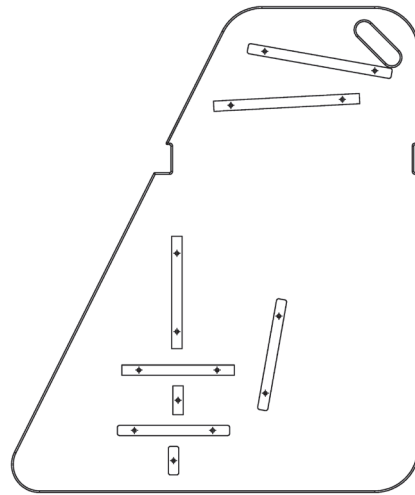
US inquiries@pineapplecontracts.com

Pineapple

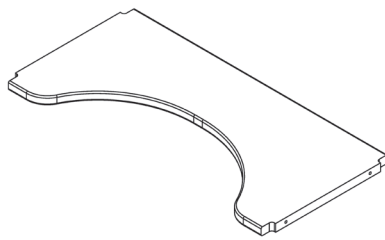
→ KIT OF PARTS



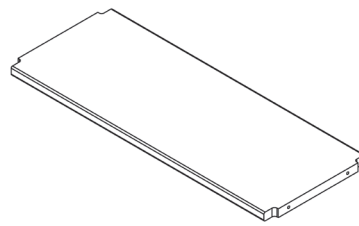
→ LH side support



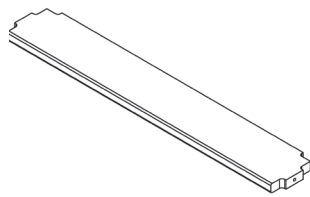
→ RH side support



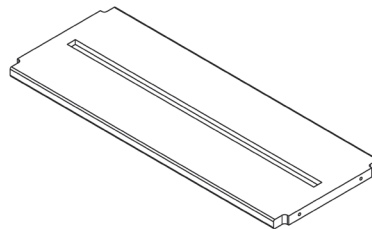
→ Support A



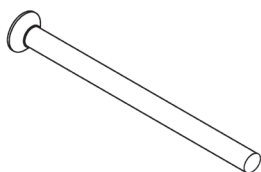
→ Support B



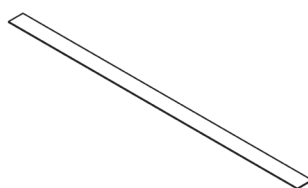
→ Support C.1



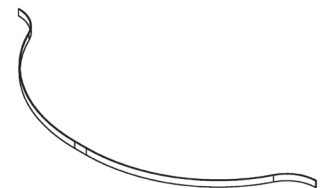
→ Support C.2



→ 5 x 50 mm
Confirmat screw



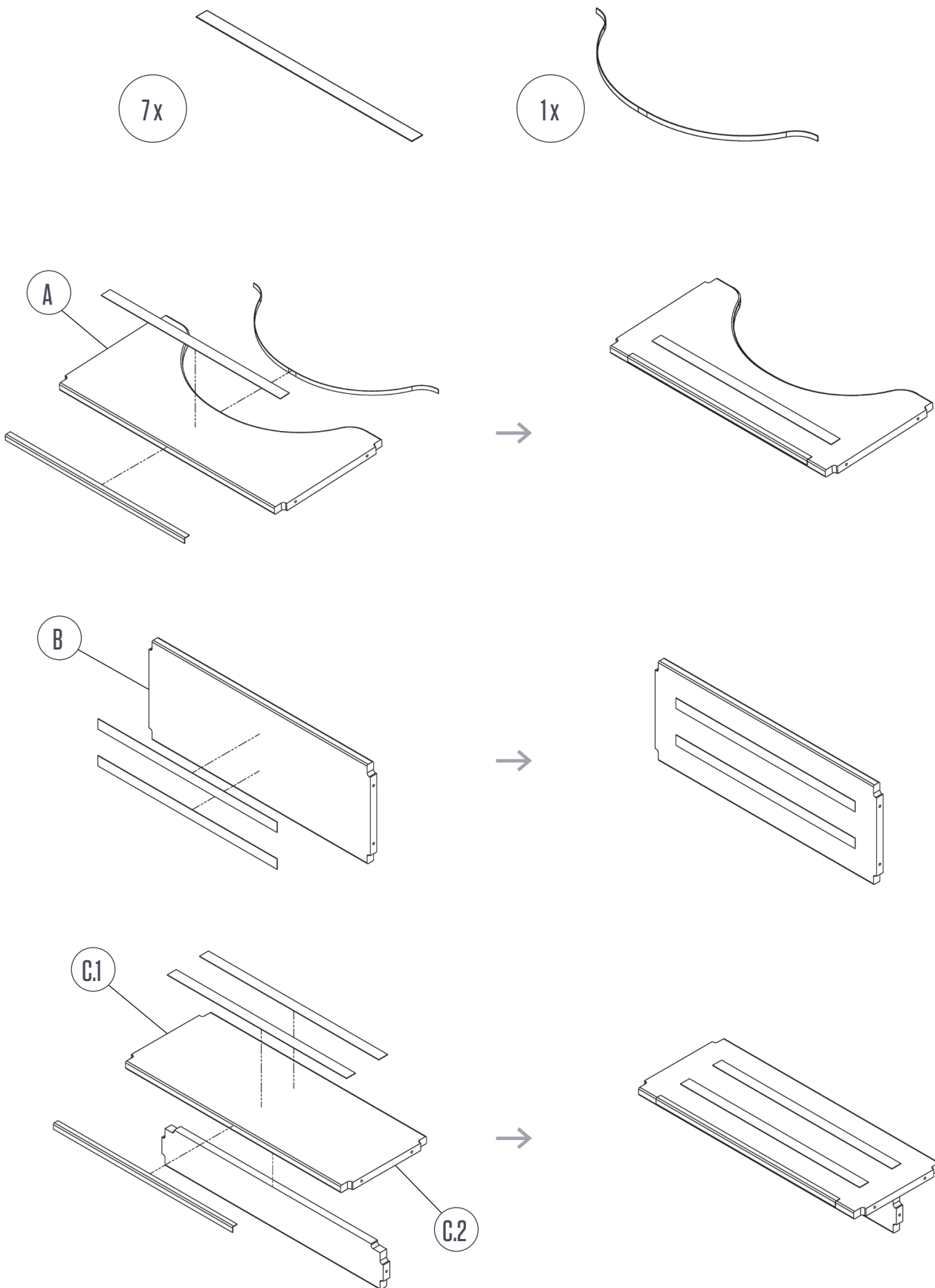
→ 25 x 500 mm
Felt tape



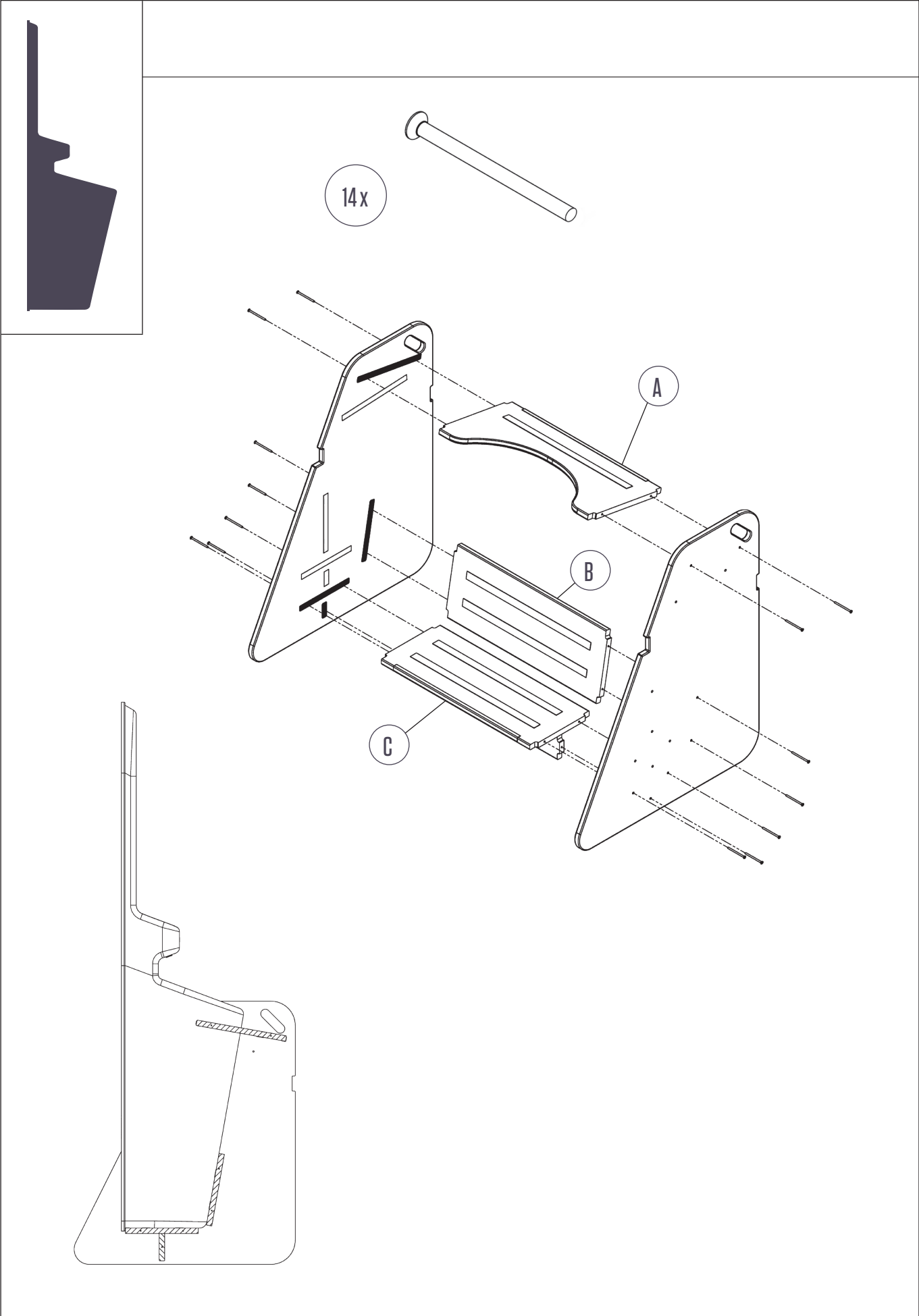
→ 10 x 600 mm
Felt tape

→ TAPE APPLICATION

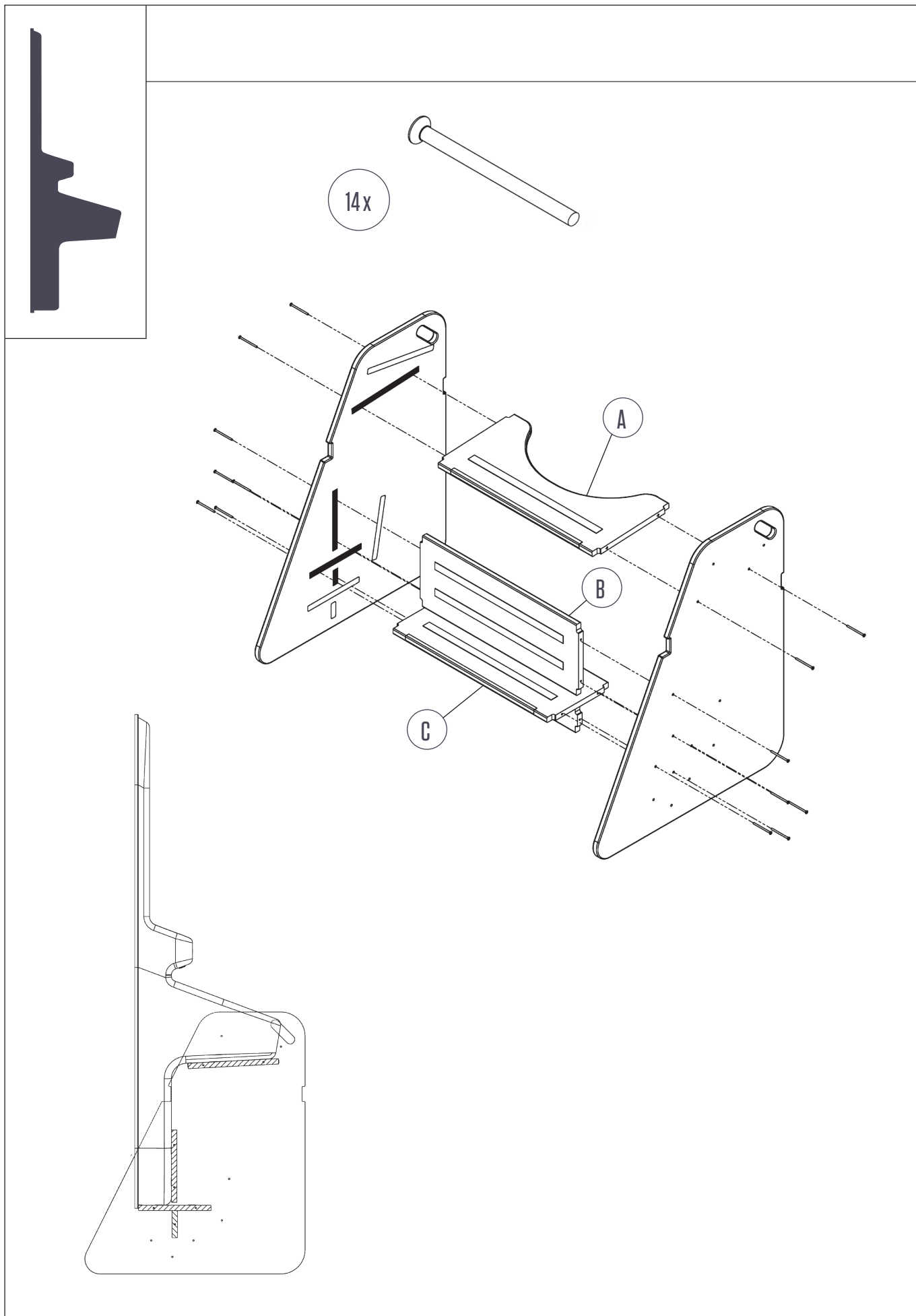
01



WITH/WITHOUT STORAGE → STAND ASSEMBLY GUIDE



ACCESSIBLE → STAND ASSEMBLY GUIDE



T

UK +44 (0)1622 237830

US +1 800.496.9324

E

UK sales@pineapplecontracts.com

US inquiries@pineapplecontracts.com

Pineapple