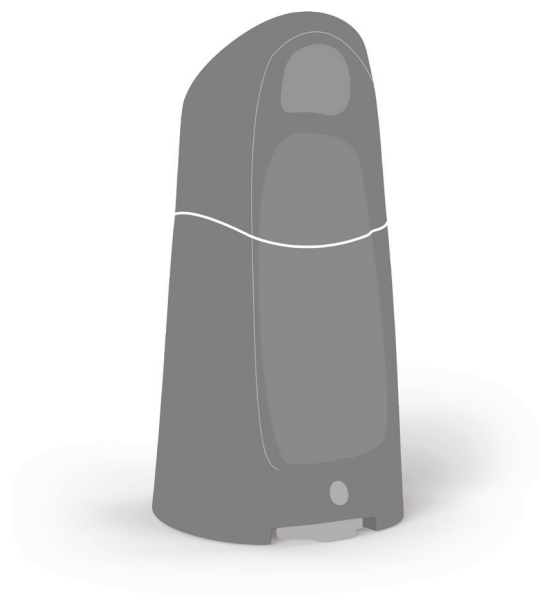


# RYNO<sup>®</sup> SAFEWASTE

## FLOOR-FIXING INSTRUCTIONS



*Please read all instructions carefully before attempting to disassemble this product. If you have any queries or concerns, please contact your Pineapple representative for further advice*

## REQUIRED ITEMS

- x3 appropriate floor-fixing hardware  
\* not supplied
- SDS or equivalent drill
- Masonary drill bit
- Marking tool (center punch or pencil)



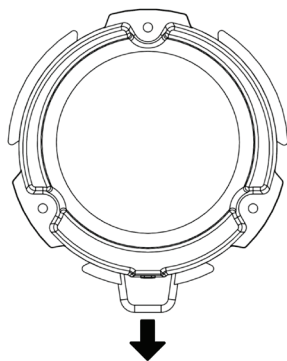

+44 (0)1622 237830

sales@pineapplecontracts.com

# Pineapple

# RYNO<sup>®</sup> SAFEWASTE

## FLOOR-FIXING INSTRUCTIONS

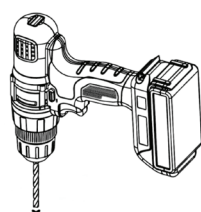
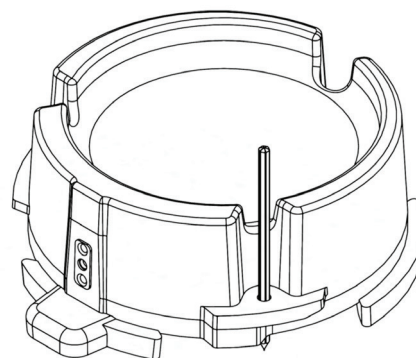


Place the bin base in the final location ensuring the tab is facing forwards.

# 01

# 02

Mark the 3 fixing locations with a center punch or marker.



Drill into the ground and place in appropriate fixings.

# 03

T  
E

+44 (0)1622 237830

sales@pineapplecontracts.com

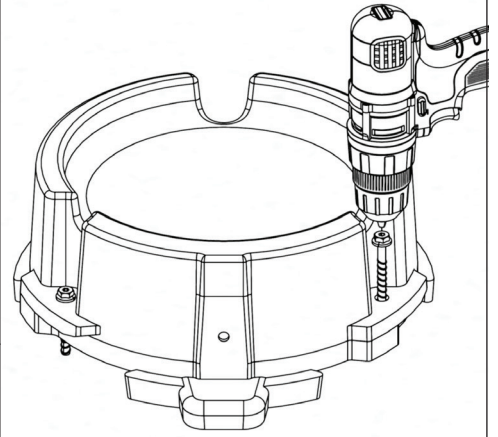
# Pineapple

# RYNO<sup>®</sup> SAFEWASTE

## FLOOR-FIXING INSTRUCTIONS

04

Place bin base in position and bolts to ground using appropriated fixings.



T  
E

+44 (0)1622 237830

[sales@pineapplecontracts.com](mailto:sales@pineapplecontracts.com)

**Pineapple**

# DISCLAIMER

	<ul style="list-style-type: none"><li>→ Ensure the proper and adequate hardware is used to secure furniture</li><li>→ Ensure fastenings are appropriate for the anchoring material</li><li>→ Use fastenings of an appropriate strength and consider using security fixings in challenging environments</li><li>→ Consider using high strength thread-locker on fastenings in challenging environments</li><li>→ Ensure all gaps are sealed with the appropriate anti-pick mastic after product installation if necessary</li><li>→ Please read all instructions carefully to ensure proper installation. Failure to read and follow instructions may result inadequate product installation and void of warranty</li><li>→ Pineapple shall not be held liable for any consequences caused by the improper disassembly or installation of products to the installer or the end user</li></ul>



+44 (0)1622 237830

[sales@pineapplecontracts.com](mailto:sales@pineapplecontracts.com)