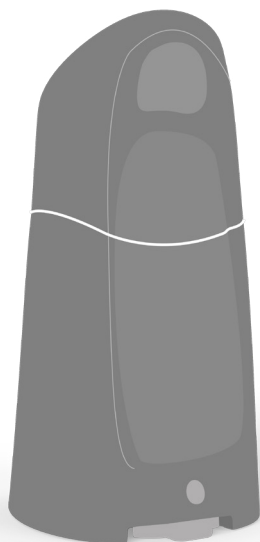


# RYNO<sup>®</sup> SAFEWASTE

## OPERATION INSTRUCTIONS



*Please read all instructions carefully before attempting to disassemble this product. If you have any queries or concerns, please contact your Pineapple representative for further advice*

### REQUIRED ITEMS

→ Ryno Safewaste security key



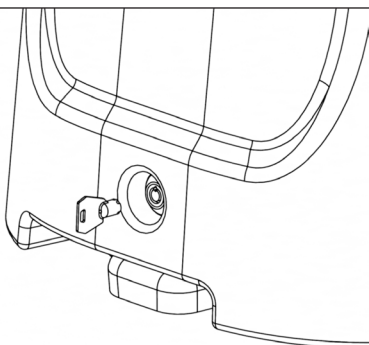

+44 (0)1622 237830

sales@pineapplecontracts.com

# Pineapple

# RYNO<sup>®</sup> SAFEWASTE

## OPERATION INSTRUCTIONS

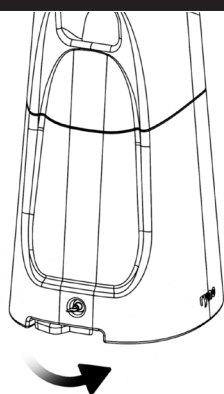
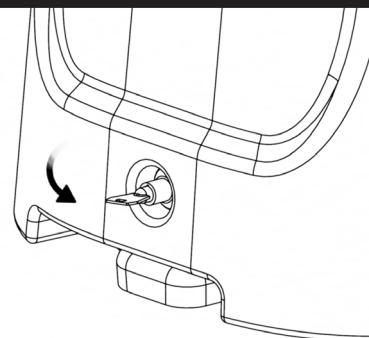


Insert the key into lock ensuring it is the correct way up.

# 01

# 02

Turn the key until the plunger pops out.



Twist the entire top-half of the bin anti-clockwise.

# 03

T  
E

+44 (0)1622 237830

sales@pineapplecontracts.com

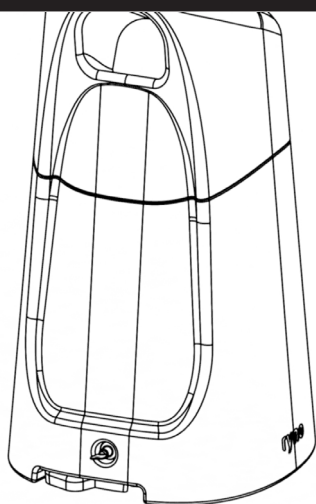
# Pineapple

# RYNO<sup>®</sup> SAFEWASTE

## OPERATION INSTRUCTIONS

04

Lift the top-half of the bin clear of the base.



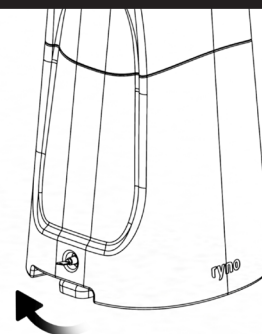
## TO RELOCK:

Follow instructions in reverse order for reassembly.

05

06

Twist the entire top-half of the bin clockwise to attach the two halves together.



T  
E

+44 (0)1622 237830

sales@pineapplecontracts.com

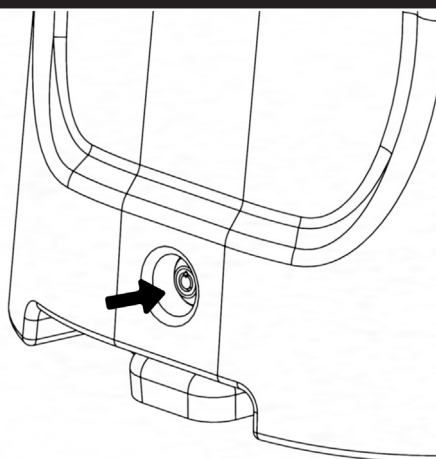
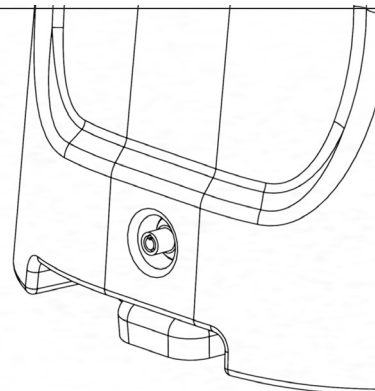
**Pineapple**

# RYNO<sup>®</sup> SAFEWASTE

## OPERATION INSTRUCTIONS

07

Remove the key.



Push the lock plunger back in to lock the bin.

08

T  
E

+44 (0)1622 237830

sales@pineapplecontracts.com

**Pineapple**

# DISCLAIMER

	<ul style="list-style-type: none"><li>→ Ensure the proper and adequate hardware is used to secure furniture</li><li>→ Ensure fastenings are appropriate for the anchoring material</li><li>→ Use fastenings of an appropriate strength and consider using security fixings in challenging environments</li><li>→ Consider using high strength thread-locker on fastenings in challenging environments</li><li>→ Ensure all gaps are sealed with the appropriate anti-pick mastic after product installation if necessary</li><li>→ Please read all instructions carefully to ensure proper installation. Failure to read and follow instructions may result inadequate product installation and void of warranty</li><li>→ Pineapple shall not be held liable for any consequences caused by the improper disassembly or installation of products to the installer or the end user</li></ul>



+44 (0)1622 237830

[sales@pineapplecontracts.com](mailto:sales@pineapplecontracts.com)