



KEY FEATURES

- Durable polyethylene one-piece construction provides excellent strength
- Hygienic wipe-clean laminate table top with anti-spill edging
- Material compliant with flammability standards UL94 HB & BS 5852:2006
- Base is 100% recyclable
- Wheelchair accessible design, compliant with ADA and DDA requirements (applies to 1200 x 1200mm and 2400 x 1200mm sizes)
- For indoor use only



MATERIAL/FABRICATION

The base is a rotationally moulded, durable polyethylene, one-piece construction provides excellent strength and stability. Flamed, textured finish further strengthens the fire-retardant, water-resistant, UV-stabilised shell.

Tabletop available in Natural Rockford Hickory with an anti-spill PU Moonwalk Grey edge. Available as a weighted option (135kg) which deters lifting, the base is also floor fixable option with a secure hidden floor fixing (FF) solution.

Tabletop Edge: Moonwalk Grey

Laminate options: Natural Rockford Hickory or Grey

OPTIONS

- Heavily weighted or an anti-tamper floor fixed option
- Optionally made with 40% reused content
- 960 x 960 (mm) tabletop also available
- Also available as a double pedestal table 2400 x 1200 (mm) option with an increased seating capacity of 8 (see below)
- Available with alternative tabletops including flat edged laminate and plywood edged options.



TEST STANDARDS

- Fire retardant to CAL 133 and UL 94 HB, DIN 66084
- Fire retardant to BS 5852:2006 ignition source 5

COLOUR/FINISH

CORE COLOURS



Moonwalk Grey



Cool Green



Granite



Teal



Sand



Dusty Pink



Icon Purple



Dusty Blue



Thunder Grey



Epic Blue



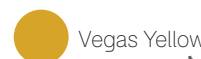
Warm Terracotta



Violet Purple



Lime Green



Vegas Yellow

these colours have a minimum order quantity of 12 units

NON-CORE COLOURS

LAMINATE TOP OPTIONS



Hickory



Grey

DELIVERY

[core colours] leadtime 5 weeks | [non-core colours] will have longer leadtimes and additional costs

ASSEMBLY

Arrives assembled and ready to use

INSTALLATION/FITTING

Additional weighting can be carried out prior to delivery. Please advise if floor fixing is required when ordering as fixed items are made differently. All products must be fitted carefully following Pineapple's product instructions (where available). If not, any guarantee is at risk of becoming null and void

MAINTENANCE

Avoid using abrasive materials or cleaning agents, solvents, steam cleaning or jet washing. Use bleach and chlorine disinfectant with caution and avoid placing in close proximity to sources of heat. Read more here <https://uk.pineapplecontracts.com/upholstery/care-guidance/>

WARRANTY

Lifetime guarantee against all manufacturing faults

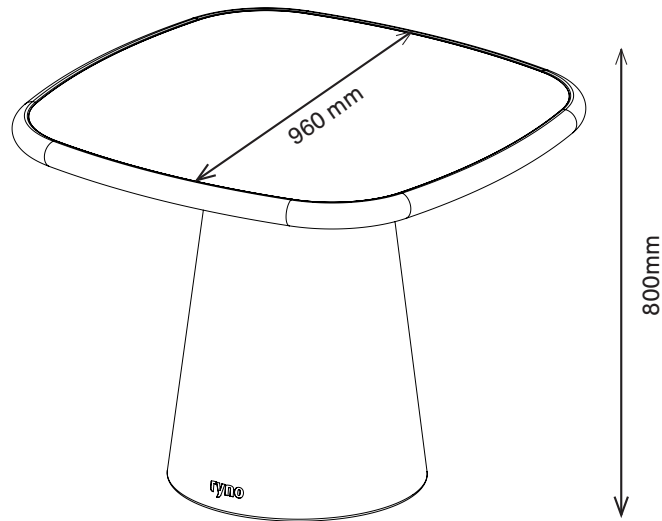
DISCLAIMER

Extreme temperature changes (e.g. a cold night followed by a warm sunny day) may cause air inside the product to expand, causing short-term changes to its shape. This product is not suitable for outdoor use.

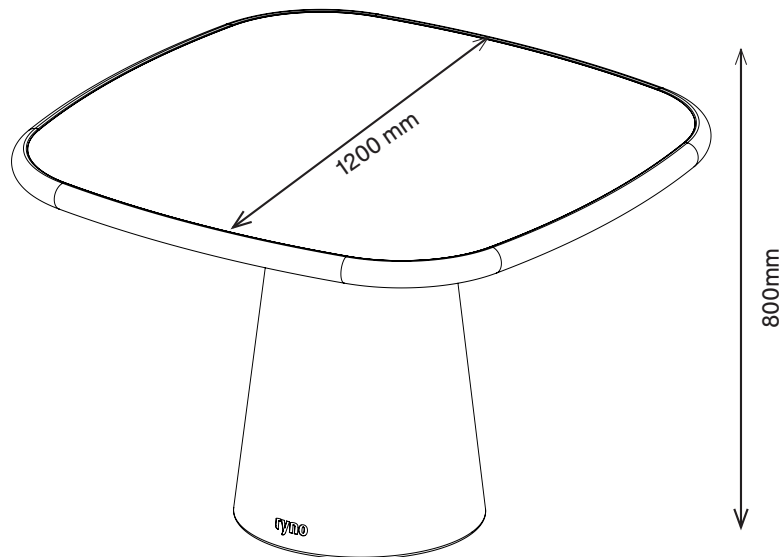
Due to the nature of the rotational moulding process, flat surfaces on Ryno® products may feature slight undulations which do not detract from the product's strength or durability.

Floor fixable (FF) options cannot be additionally weighted as the necessity to floor fix for immovability negates any need for internal weight to be added.

1RYTP1
800H | 960W | 960D (mm)
FF option: 32kg
Weighted option: 120kg
Seating capacity: 2-4

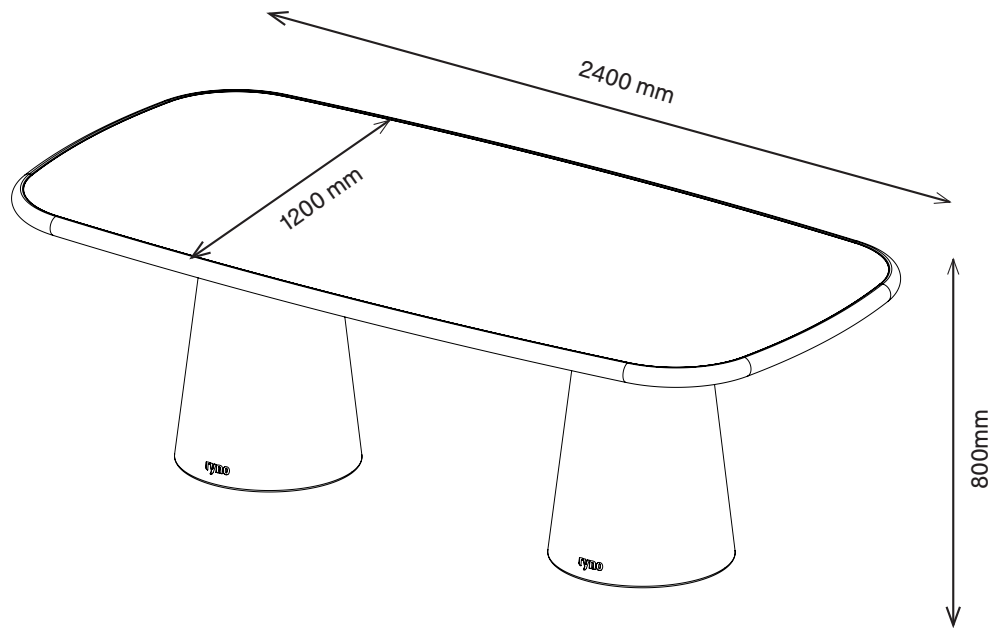


1RYPT4
800H | 1200W | 1200D (mm)
FF option: 47kg
Weighted option: 135kg
Seating capacity: 4



RYNO[®] COMBO TABLE

1RYPT6
800H | 2400W | 1200D (mm)
Standard weight: 99kg
Weighted option: 275kg
Seating capacity: 8



T

+44 (0)1622 237830

E

sales@pineapplecontracts.com

W

uk.pineapplecontracts.com

Pineapple