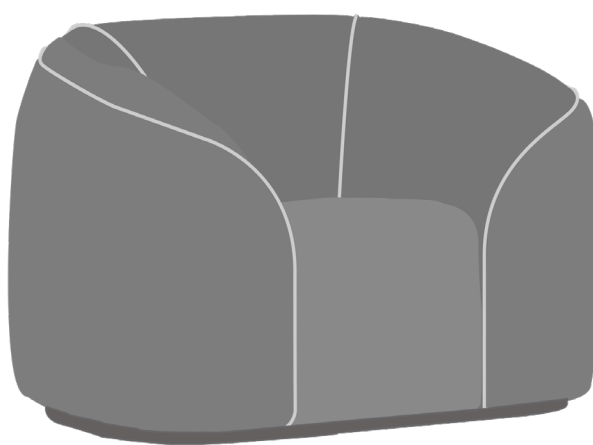


# ADORA PLUS

## REMOVAL OF ARMS INSTRUCTIONS



**Please Note:**  
Heavyweight item; 2  
people required for lifting



*Please read all instructions carefully before attempting to disassemble this product. If you have any queries or concerns, please contact your Pineapple representative for further advice*

## REQUIRED ITEMS

- Screwdriver with security torix bits
- Small plinth (approx. 600x600x600(mm)  
or use a furniture blanket

NB. This should be carried out by at least 2  
people due to the product being heavyweight




+44 (0)1622 237830

sales@pineapplecontracts.com

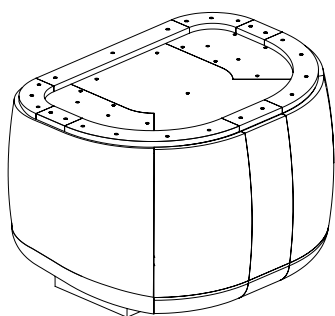
# Pineapple

# ADORA PLUS

## REMOVAL OF ARMS INSTRUCTIONS



Please Note:  
Heavyweight item; 2  
people required for lifting

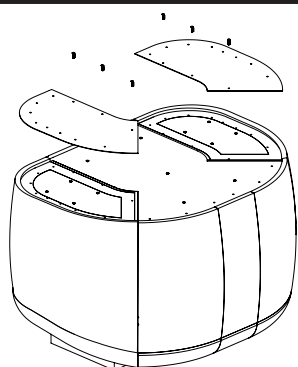
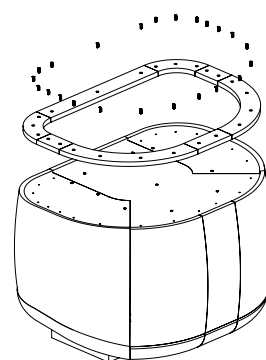


Place the armchair upturned on a plinth if possible, or on a furniture blanket to protect the upholstery and arms.

# 01

# 02

Remove x23 security screws and the feet.



Remove the cardboard panels from the arm sections (6 screws, 3 for each).

# 03



+44 (0)1622 237830



sales@pineapplecontracts.com

# Pineapple

# ADORA PLUS

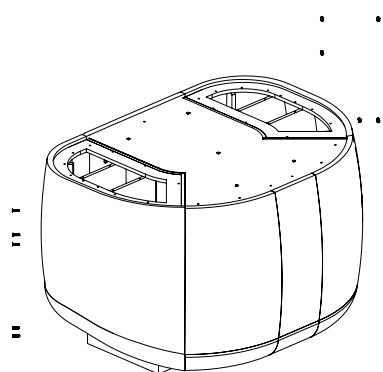
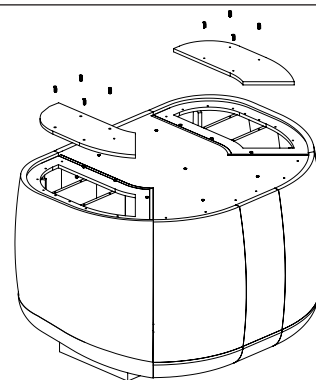
## REMOVAL OF ARMS INSTRUCTIONS



Please Note:  
Heavyweight item; 2  
people required for lifting

04

Remove the internal base panel from the arm sections (8 screws, 4 for each).

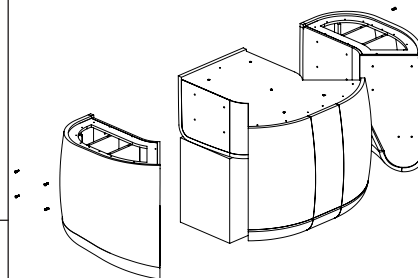


Unbolt the arms from the backrest section (10 bolts, 5 for each).

05

06

Unbolt the arms from the seat section and remove them (8 bolts 4 for each).



Follow the instructions in reverse order for reassembly.

07



+44 (0)1622 237830



sales@pineapplecontracts.com

# Pineapple

# DISCLAIMER

	<ul style="list-style-type: none"><li>→ Ensure the proper and adequate hardware is used to secure furniture</li><li>→ Ensure fastenings are appropriate for the anchoring material</li><li>→ Use fastenings of an appropriate strength and consider using security fixings in challenging environments</li><li>→ Consider using high strength thread-locker on fastenings in challenging environments</li><li>→ Ensure all gaps are sealed with the appropriate anti-pick mastic after product installation if necessary</li><li>→ Please read all instructions carefully to ensure proper installation. Failure to read and follow instructions may result inadequate product installation and void of warranty</li><li>→ Pineapple shall not be held liable for any consequences caused by the improper disassembly or installation of products to the installer or the end user</li></ul>



+44 (0)1622 237830

[sales@pineapplecontracts.com](mailto:sales@pineapplecontracts.com)

**Pineapple**