



KEY FEATURES

- Furniture is recessed into the wall to prevent damage and minimise ligature risks
- Products are to be secured to a timber frame within the wall for strength
- Reduces the risk of concealment/stashing
- Single piece construction is impervious to water - cannot be damaged by fluids
- Preserves line of sight for staff conducting welfare checks
- Creates a room with uncluttered floor space
- Safely rounded corners



MATERIAL/FABRICATION

Rotationally moulded, durable polyethylene, one-piece construction provides excellent strength and stability. Flamed, textured finish further strengthens the fire-retardant, water-resistant, UV-stabilised shell. Anti-microbial material gives high chemical resistance (e.g. ammonia, sodium hydroxide) throughout the product. Item is fully recyclable as polyethylene can be melted down to create a whole new product.

TEST STANDARDS

- ANSI/BIFMA X5.9 Storage Units
- Fire retardant to CAL 133 and UL 94 HB, Crib 5, DIN 66084
- UV resistance tested to UV 21+ stating it can withstand 21,000 sunlight hours
- Antibacterial Activity MOD ISO 22196: 2011
- Ryno ISO 11925 (2020)

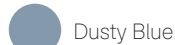
DELIVERY

[core colours] leadtime 5 weeks | [non-core colours] will have longer leadtimes and additional costs

OPTIONS

- Other products available in the Ryno Recessed range
- Optionally made with 40% reused content
- Lime Green (LG) and Vegas Yellow (VY) colours have a minimum order quantity of 12 units

COLOUR/FINISH



these colours have a minimum order quantity of 12 units

CORE COLOURS

NON-CORE COLOURS

ASSEMBLY

Arrives assembled and ready to be installed/fitted on-site.

INSTALLATION/FITTING

Wall installation solution - We recommend fitting to be completed by our skilled installation team. For more information and detailed installation instructions please refer to our '**Ryno Recessed - User Guide**'. Please be mindful that incorrect fitting methods, may cause an unsafe environment and void your warranty.

MAINTENANCE

Avoid using abrasive materials or cleaning agents, solvents, steam cleaning or jet washing. Use bleach and chlorine disinfectant with caution and avoid placing in close proximity to sources of heat. Read more on our website.

WARRANTY

Lifetime guarantee against all manufacturing faults.

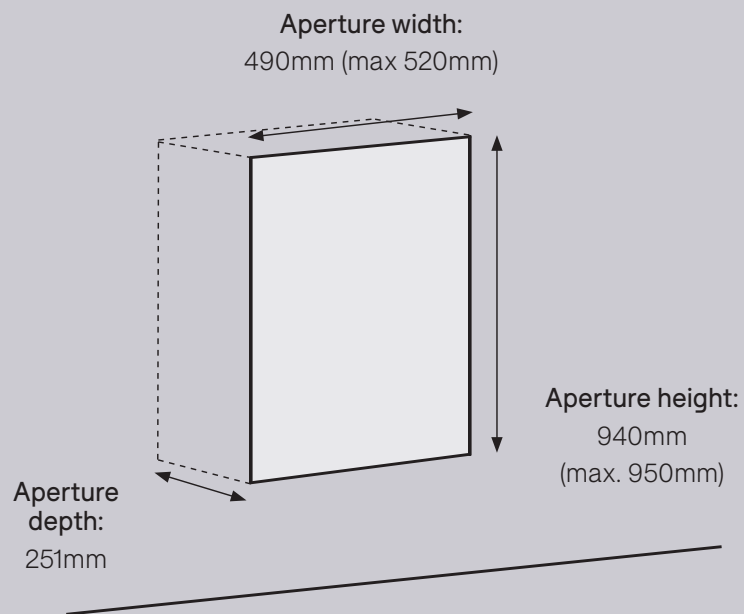
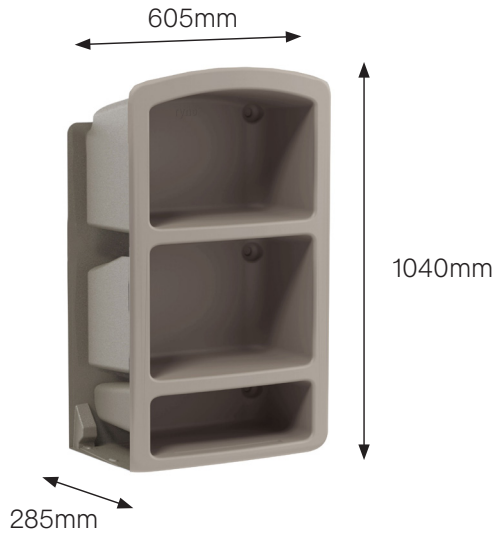
DISCLAIMER

Extreme temperature changes (e.g. a cold night followed by a warm sunny day) may cause air inside the product to expand, causing short-term changes to its shape

Due to the nature of the rotational moulding process, flat surfaces on Ryno® products may feature slight undulations which do not detract from the product's strength or durability.

RYNO[®] RECESSED WALL SHELF

1RRYOK-300
1040H | 605W | 285D (mm)
Standard weight: 7kg



T

+44 (0)1622 237830

E

sales@pineapplecontracts.com

W

uk.pineapplecontracts.com

Pineapple