

RYNO[®]

Recessed furniture,
built-in for safety



Pineapple



In high-risk environments, furniture within a bedroom can present a number of safety risks - both in terms of being damaged by challenging behaviour and being misused in ways that could lead to self-harm or harm to others.

Large, exposed faces like the side of a wardrobe can be vulnerable to damage by force, while horizontal faces like the top of a chest of drawers may present a ligature risk.

The presence of individual pieces of furniture can provide opportunities for concealment, and may also impair lines of sight for staff who are checking on a patient's welfare.

The innovative Ryno Recessed range aims to address these risks by recessing the furniture into space within the wall.

The products can be securely fixed to a timber frame within the wall, creating a robust installation of built-in furniture which provides no opportunity for leverage which could otherwise cause damage.

Each product is manufactured from a single piece of polyethylene, creating robust and totally waterproof piece of furniture, and the finished installation features uncluttered floor space.



RYNO® RECESSED



Bedside table
1RRYOB-200
595H | 400W | 388D (mm)
7kg



Chest
1RRYOC-300
735H | 698W | 505D (mm)
11.5kg



Wall shelf
1RRYOK-300
1056H | 613W | 291D (mm)
7kg



Wardrobe with storage
1RRYOW
1880H | 698W | 510D (mm)
29kg



Wardrobe hanging
1RRYOWH
1880H | 698W | 510D (mm)
29kg



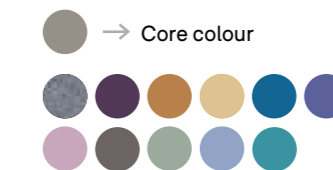
Modular storage
1RRYOWS
1805H | 457W | 533D (mm)
19kg

KEY FEATURES

- Furniture is recessed into the wall to prevent damage and minimise ligature risks
- Designed to be secured to a timber frame within the wall for strength
- Single piece construction is impervious to water - cannot be damaged by fluids
- Reduces the risk of concealment/stashing
- Preserves line of sight for staff conducting welfare checks
- Creates a room with uncluttered floor space
- Safely rounded corners

OPTIONS

- Available in a range of colours



→ Minimum order quantity of 12 units

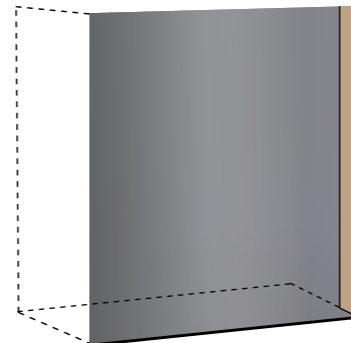


→ INSTALLATION GUIDE

01

Construct an aperture for the product to be recessed into. The dimensions of the aperture can be found on pages 8 to 11 of this document.

The aperture should be timber-framed and strong enough to withstand use in behavioural health environments.

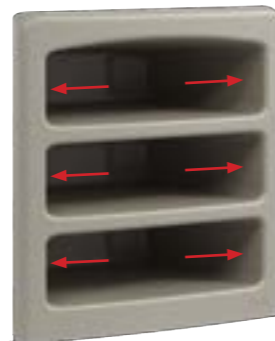


Insert product into aperture, checking there are no gaps around the outside edge of the item.

02

03

Using appropriate security fixings (80mm M8 recommended, with screw cap to minimise ligature risks), screw through the inside of the shelves into the timber frame.



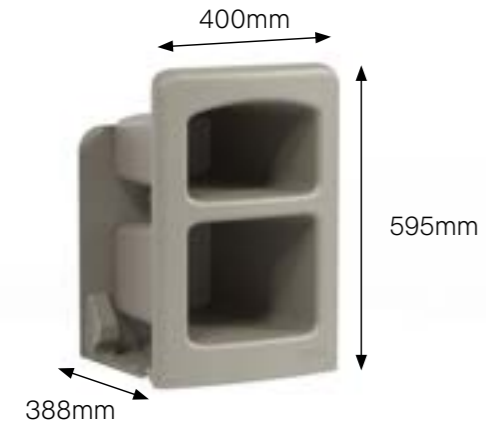
Where coved floor is used, the aperture can be situated above the coving, fitting flush to the wall.

04

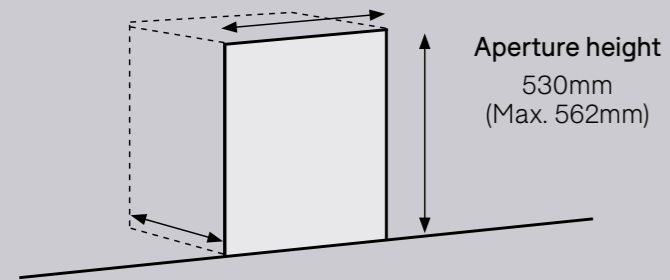
Apply a bead of anti-pick silicone sealant around the edges of the product to provide a water-resistant seal and to minimise ligature risks.



RYNO® OPEN BEDSIDE

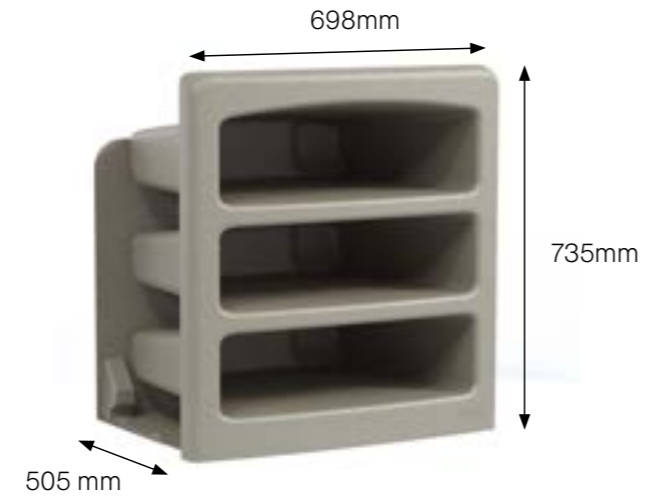


Aperture width:
310mm
(Max. 360mm)

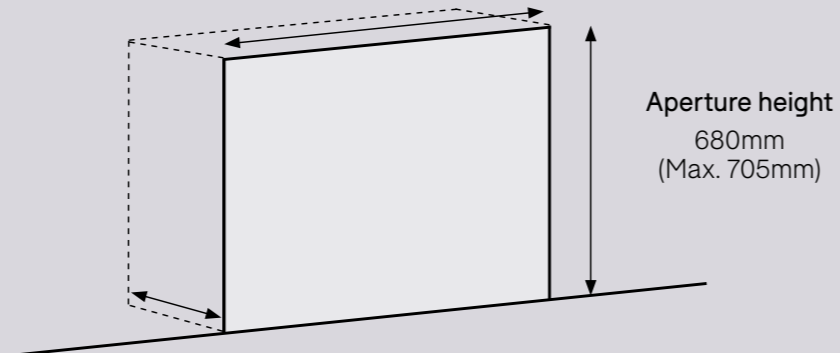


Aperture depth:
Min. 355mm

RYNO® OPEN CHEST

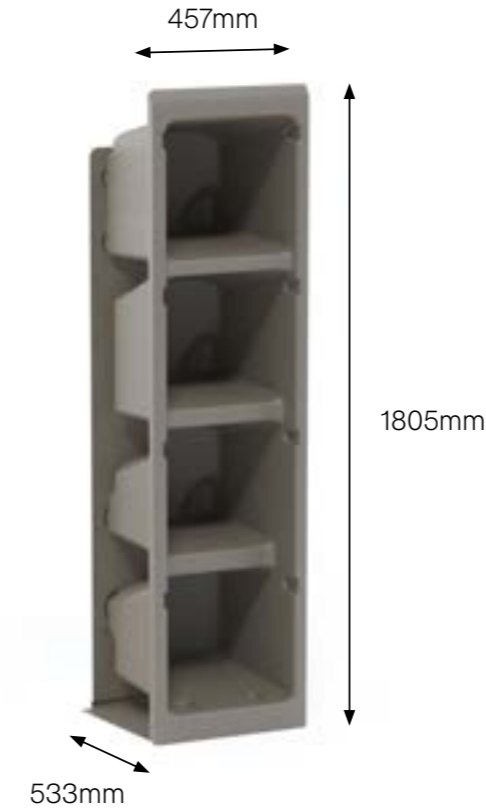


Aperture width: 608mm
(max. 658mm)

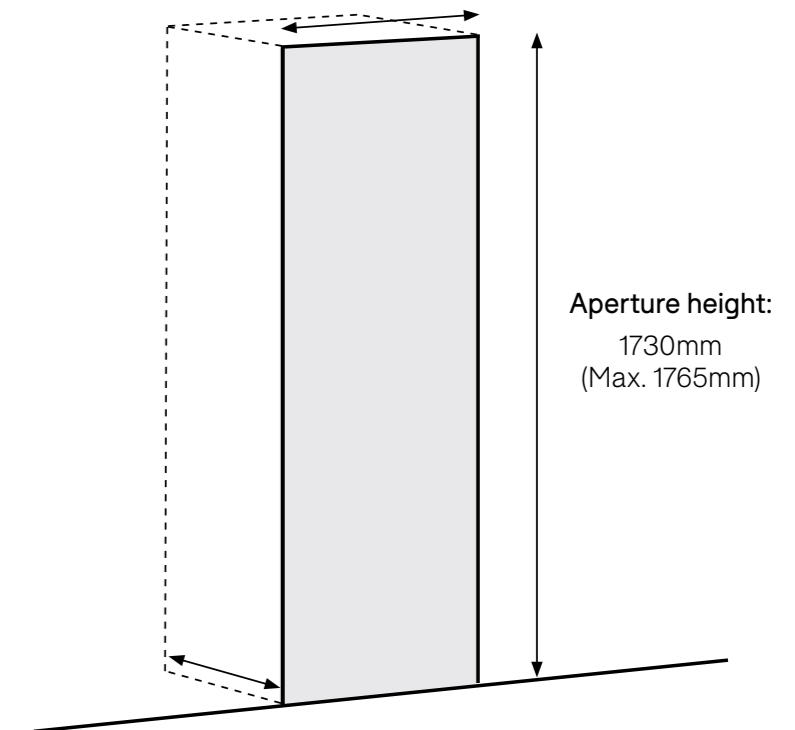


Aperture depth:
Min. 452mm

RYNO® OPEN MODULAR STORAGE



Aperture width:
417mm (max 447mm)

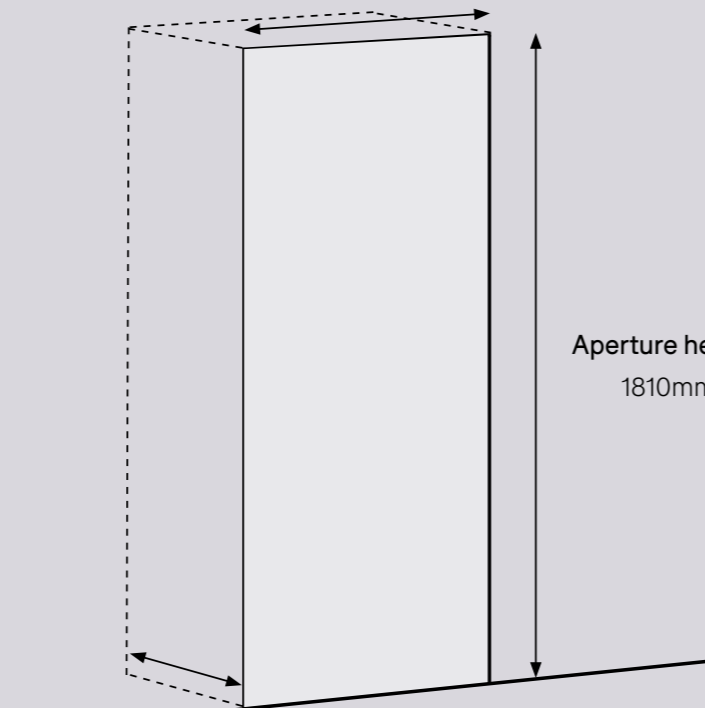


Aperture depth:
Min. 508mm

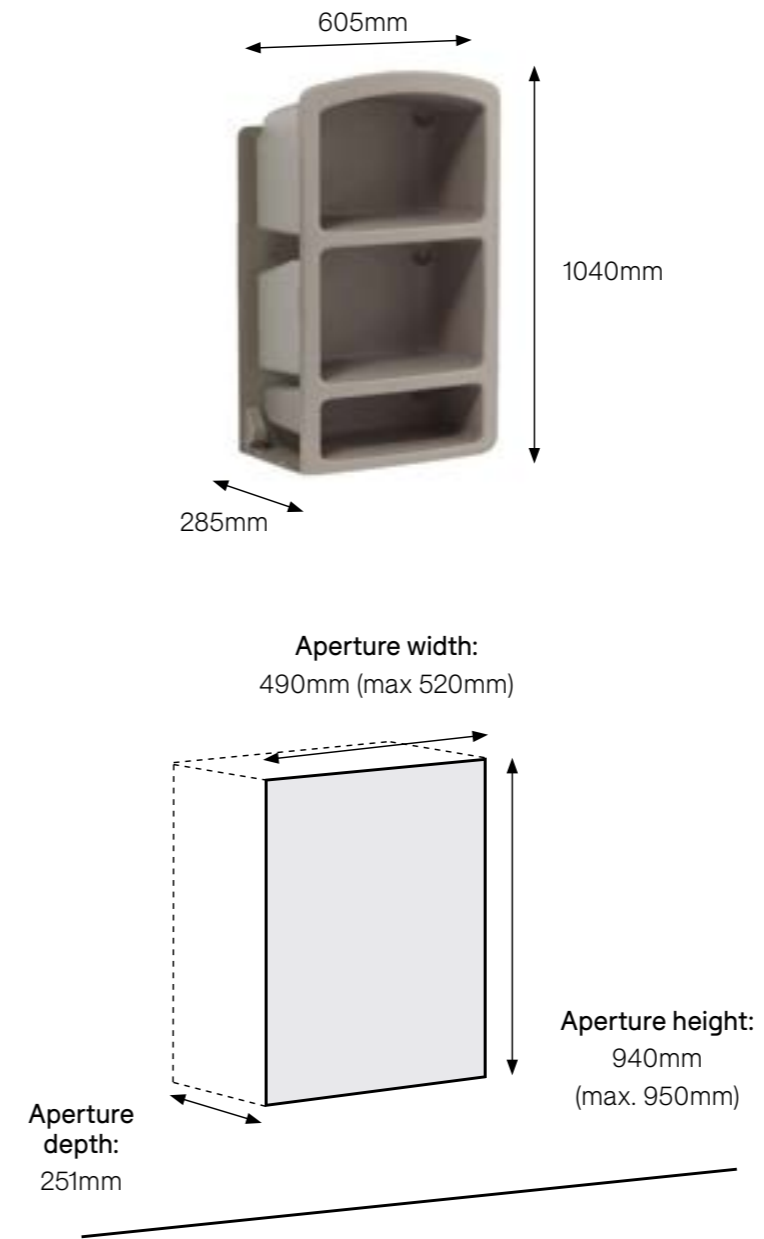
RYNO® OPEN WARDROBE



Aperture width:
598mm (max. 658mm)



RYNO® WALL SHELF



See for yourself...

To arrange a demonstration or book a visit to our showroom, please call +44 (0)1622 237830

Pineapple, Westmead, Aylesford, Maidstone, Kent, ME20 6XJ

T +44 (0)1622 237830

E sales@pineapplecontracts.com

W uk.pineapplecontracts.com

Pineapple