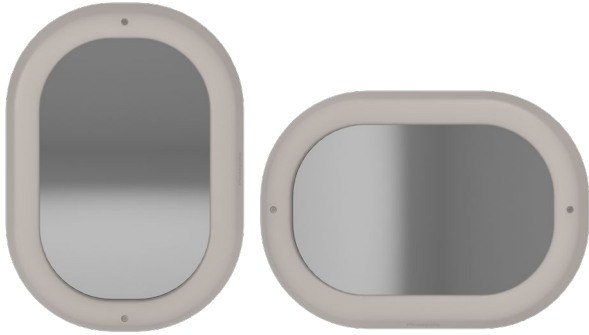


## KEY FEATURES



- Reduced-ligature design
- Wall mounted with secure wall fixings
- Portrait or landscape orientation
- Available in 2 Ryno colours
- 3mm thick polycarbonate mirror, replaceable if damaged
- Suitable for use in bathrooms and washrooms, but not recommended for installation inside shower cubicles or areas exposed to direct water flow.

IP Registration Number: 6458249



### MATERIAL/FABRICATION

The Ryno mirror features a rotationally moulded, one-piece LDPE frame, providing excellent strength, stability, and impact resistance. Its flamed, textured finish enhances the fire-retardant, water-resistant shell while offering a hygienic, wipe-clean surface that dries quickly for repeated use. The frame houses a shatter-resistant 3mm polycarbonate mirror, supported by a stainless steel ring and eucalyptus core plywood backing for stability, secured with aluminium hangers for reliable mounting. Polyurethane (PU) foam reduced-ligature designed gaskets are integrated to provide cushioning and to perform a water-resistant secure seal. Security fixings are powder-coated and colour matched to the frame.

### TEST STANDARDS - FRAME MATERIAL ONLY

- Fire retardant to CAL 133, UL 94 HB & DIN 66084
- Strength and stability tested to UV 21+ stating it can withstand 21,000 sunlight hours
- Antibacterial Activity MOD ISO 22196: 2011
- Ryno ISO 11925 (2020)

### TEST STANDARDS

- Internal testing completed - Mini Impact
- Internal testing completed - Swing/Impact IK08-11

### COLOUR / FINISH



Moonwalk Grey



Cool Green

### DELIVERY

Items that are held in stock will have a leadtime 6-8 weeks

### ASSEMBLY

Arrives assembled and ready to use

### INSTALLATION/FITTING

All products must be fitted carefully following Pineapple's product instructions (where available). If not, any guarantee is at risk of becoming null and void.

The Ryno mirror can be wall-mounted in portrait or landscape orientation. To ensure a tighter seal when mounted on uneven wall surfaces, use a waterproof mastic sealant.

# RYNO<sup>®</sup> MIRROR

## 1RYK-100

Overall: 652H | 472W | 42D (mm)

Visible Mirror Area: 513H | 333W (mm)

Weight: 4.2kg

### MAINTENANCE

Avoid using abrasive materials or cleaning agents, solvents, steam cleaning or jet washing. Use bleach and chlorine disinfectant with caution and avoid placing in close proximity to sources of heat. Read more on our website.

### WARRANTY

Lifetime guarantee against all manufacturing faults on the frame only, the \*polycarbonate mirror is excluded from warranty.

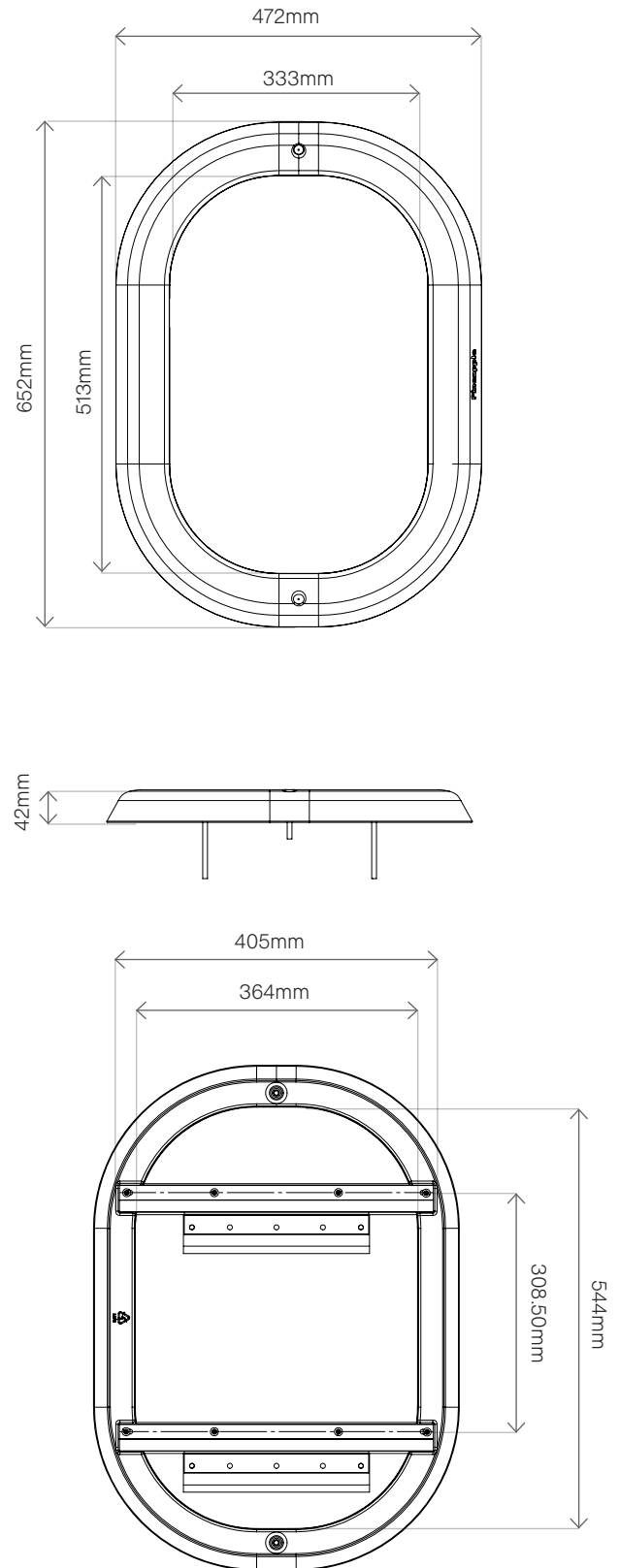
### DISCLAIMER

Extreme temperature changes (e.g., a cold night followed by a sunny day) may cause the air inside the product to expand, **temporarily** altering its shape. Flat surfaces on Ryno<sup>®</sup> products may have slight undulations due to the rotational moulding process, which do not affect strength or durability.

This product is suitable for use in bathrooms and washrooms, but not recommended for installation inside shower cubicles or areas exposed to direct water flow.

Please also note that due to the nature of polycarbonate material, the mirror surface may be prone to scratches. If the mirror becomes damaged, it can be replaced.

### DIMENSIONS



T

+44 (0)1622 237830

E

sales@pineapplecontracts.com

W

uk.pineapplecontracts.com

Pineapple