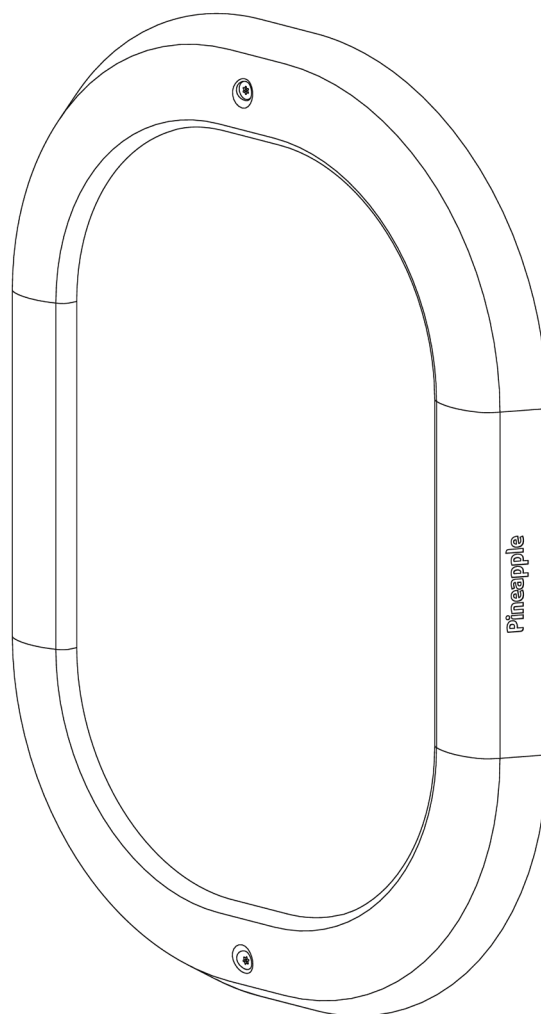


RYNO[®] MIRROR

→ INSTALLATION GUIDE



WARNING: *Read this document prior to installation.*

- *Collect the required equipment prior to installation.*
- *Installation and commissioning should only be carried out by authorised and qualified personnel.*

Version 2.1 release date: 08/03/2026

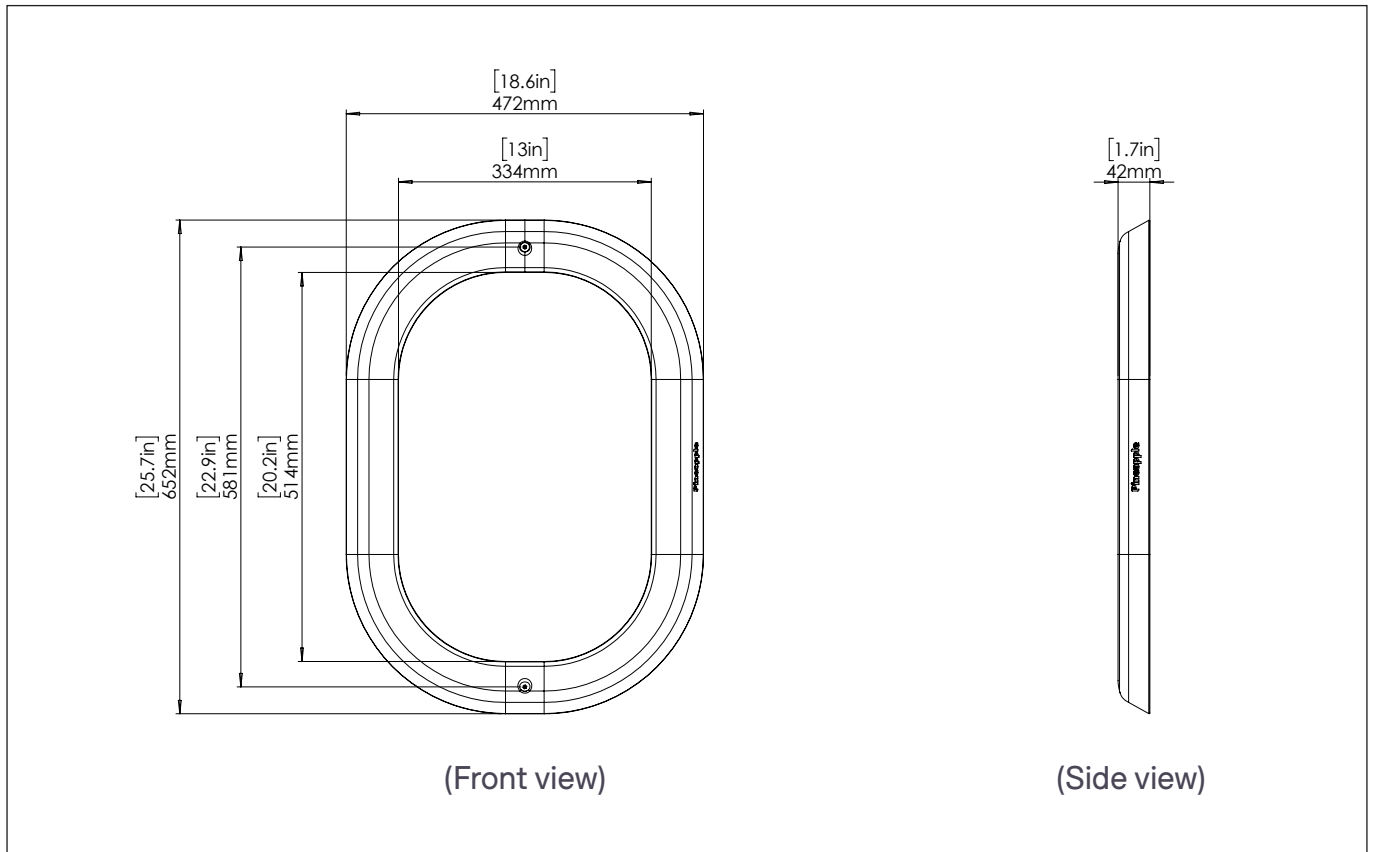


+44 (0)1622 237830

sales@pineapplecontracts.com

Pineapple

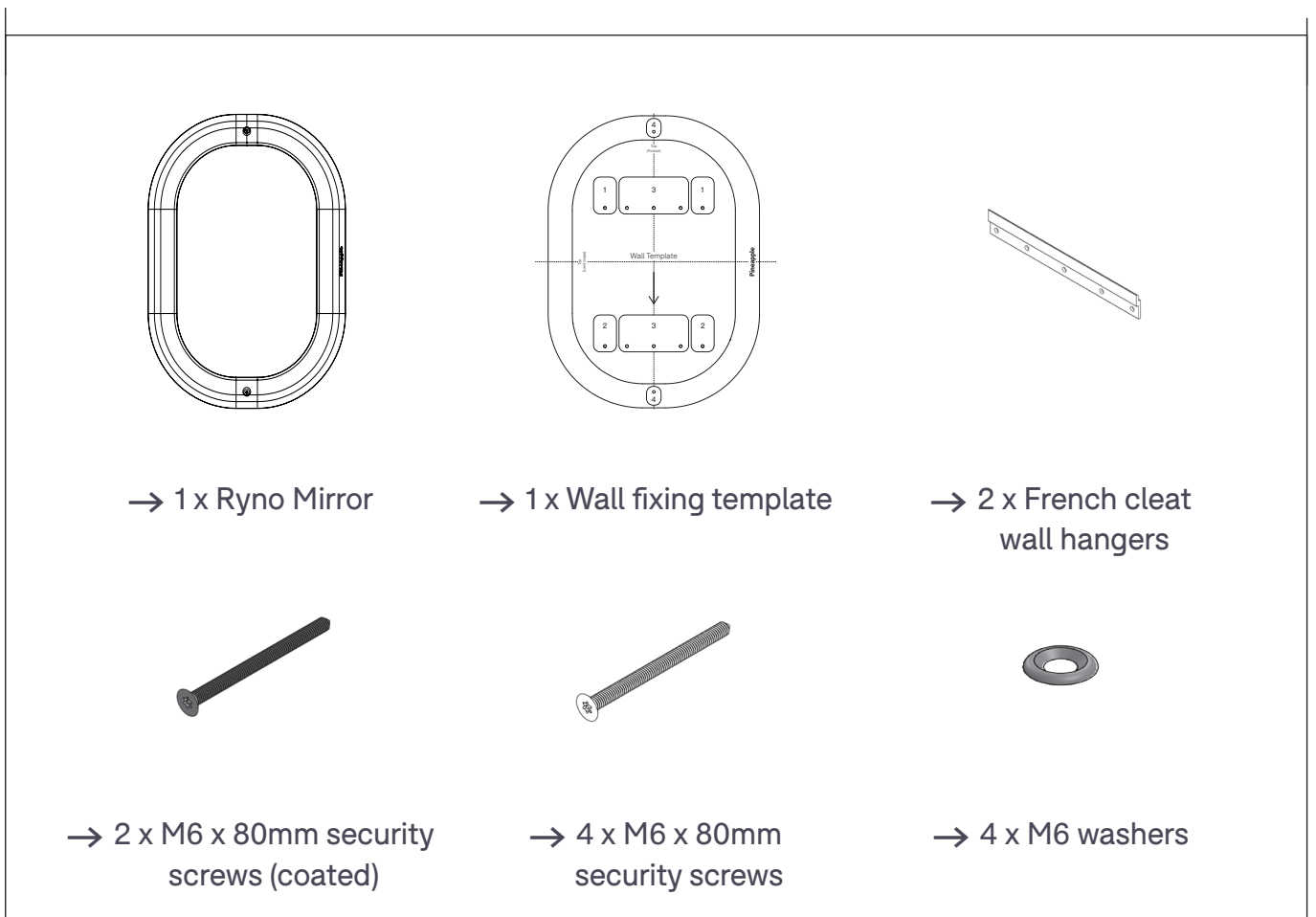
TECHNICAL DRAWINGS



(Front view)

(Side view)

KIT OF PARTS



→ 1 x Ryno Mirror

→ 1 x Wall fixing template

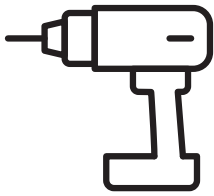
→ 2 x French cleat wall hangers

→ 2 x M6 x 80mm security screws (coated)

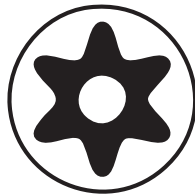
→ 4 x M6 x 80mm security screws

→ 4 x M6 washers

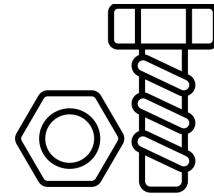
REQUIRED EQUIPMENT



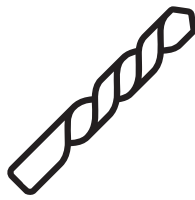
→ Cordless drill



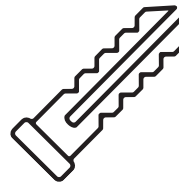
→ T30 Security bit



→ Suitable wall hardware



→ Masonry drill bit
(or appropriate)



→ Suitable wall plugs
for wall substrate

WALL REQUIREMENTS

- Walls must be level and flat, with a secure material to fix to.
- Care must be taken to ensure that the wall load bearing capacity is suitably rated for the Ryno Mirror model to be installed.
- Ensure suitable fixings are used for fixing product to wall (supplied).
- If required, please reinforce the wall prior to installation.

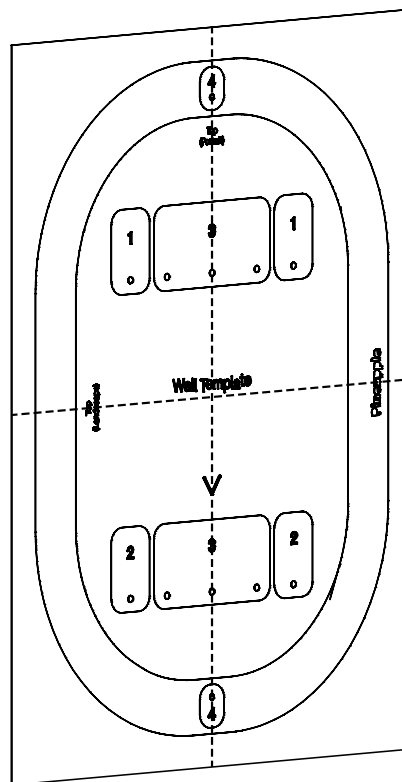
Product weight -
Ryno Mirror - **4.2kg**



RYNO MIRROR → INSTALLATION GUIDE

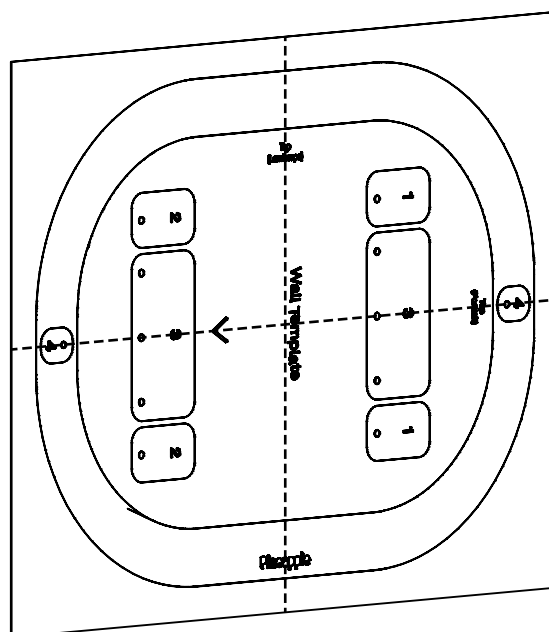
01A

Position the template vertically when mounting the mirror in a vertical orientation.



01B

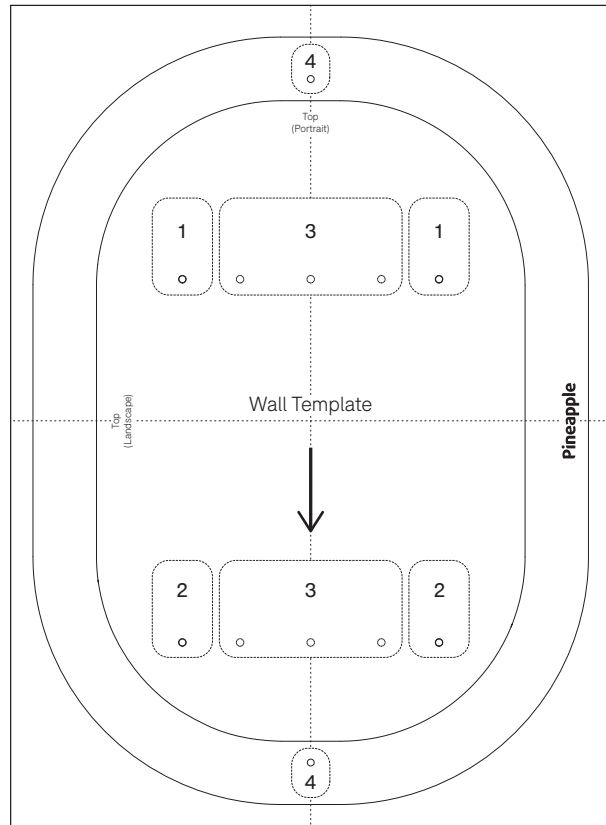
Position the template horizontally when mounting the mirror in a horizontal orientation.



RYNO MIRROR → INSTALLATION GUIDE

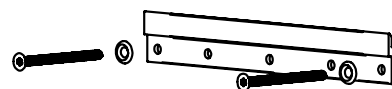
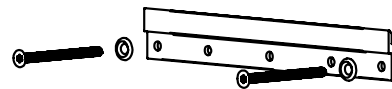
02

A minimum of six holes must be drilled, with single holes required in the areas marked 4 and 2. Additional holes for extra fixings can be added in position 3 and may be interchangeable with area 2, if required.



03

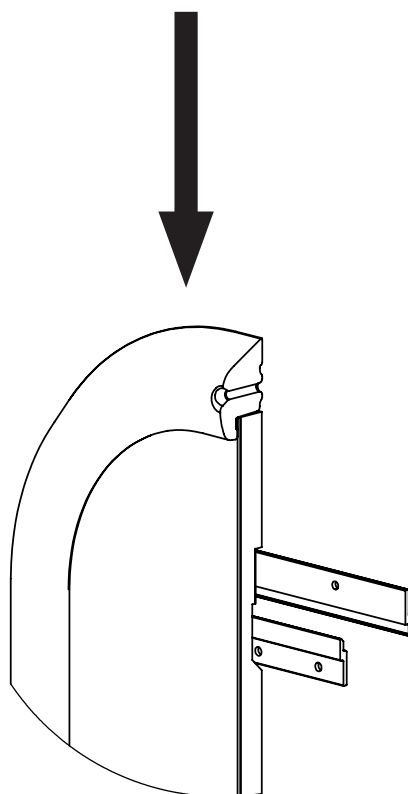
Screw the hangars into position using the provided hangars, security screws and washers. Ensure each hangar is correctly aligned and secure.



RYNO MIRROR → INSTALLATION GUIDE

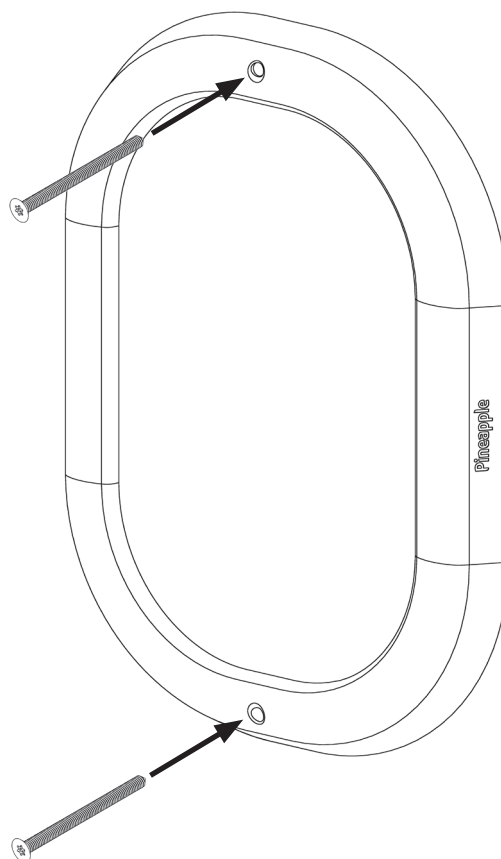
04

Align the rear slots with the french cleats, then slide the mirror onto the brackets.



05

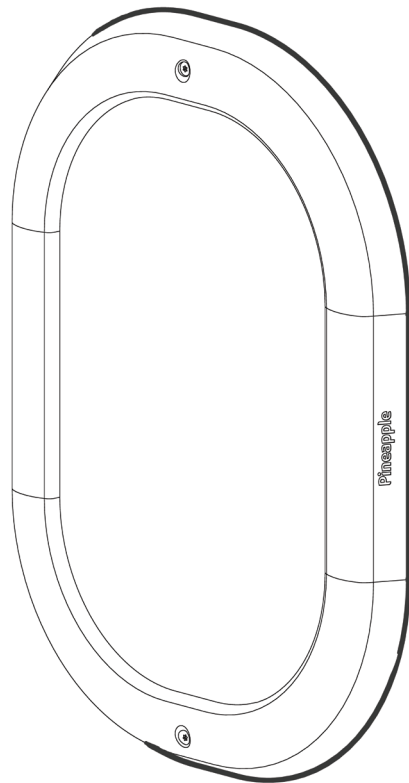
Lock the body in place using the two colour-matched screws provided, ensuring a secure fit.



RYNO MIRROR → INSTALLATION GUIDE

06

Apply non-pick mastic around mirror edge, ensuring there are no gaps between mirror and wall.



→ DISCLAIMER

- Ensure the proper and adequate hardware is used to secure furniture
- Ensure fixings are appropriate for the anchoring material
- Use fixings of an appropriate strength and consider using security fixings in challenging environments
- Consider using high strength thread-locker on fixings in challenging environments
- Ensure all gaps are sealed with the appropriate anti-pick mastic after product installation if necessary
- Please read all instructions carefully to ensure proper installation. Failure to read and follow instructions may result in inadequate product installation and void of warranty
- Pineapple shall not be held liable for any consequences caused by the improper installation of products to the installer or the end user



+44 (0)1622 237830

sales@pineapplecontracts.com

Pineapple