

DOMUS PLUS 2.0

Reinforced
Seating



Pineapple

Designed for mental health environments, Domus combines safety, durability, and calm aesthetics.

With its clean lines, natural materials, and reassuring form, this range offers a practical yet reassuring solution for secure, therapeutic spaces.

A rounded plywood shell provides dependable strength while eliminating sharp edges, supporting both longevity and user wellbeing.

The fixed cushion prevents movement or tampering, ensuring consistent performance in demanding settings.

Anti-concealment seams are carefully engineered to minimise risk, preventing items from being hidden within the upholstery.

Domus





DOMUS PLUS 2.0

Seat static weight tested to




Domus Plus 2.0 armchair
1DS1-100
785H | 780W | 733D (mm)
Seat height: 460mm
Weight: 35.5kg



Domus Plus 2.0 2-seater
1DS2-100
785H | 1354W | 733D (mm)
Seat height: 460mm
Weight: 57.5kg

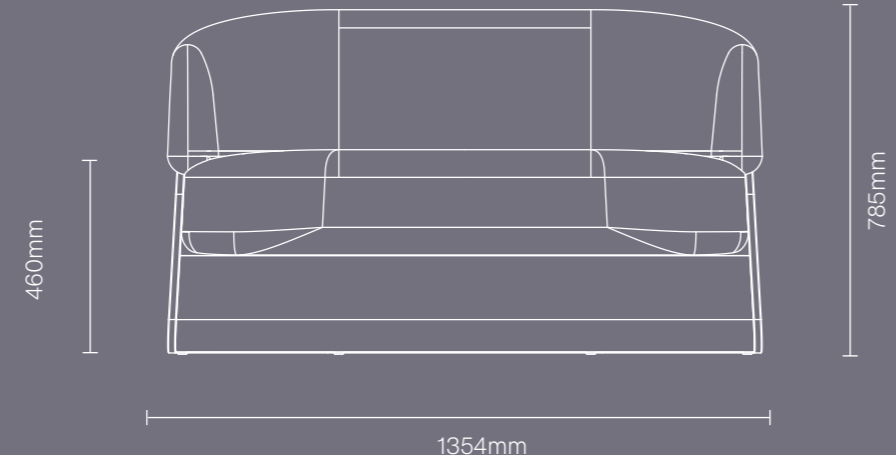
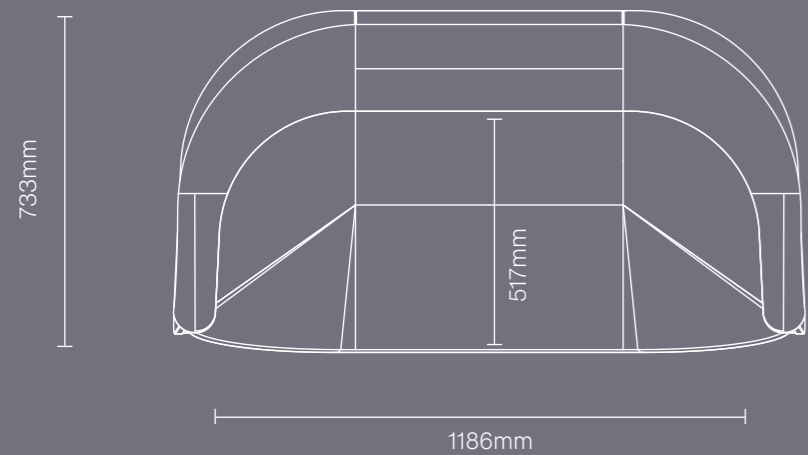
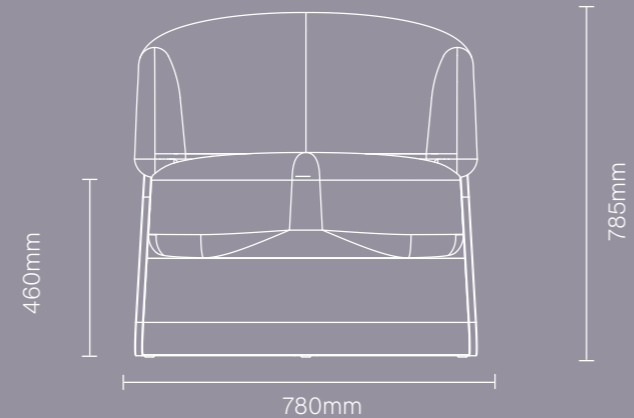
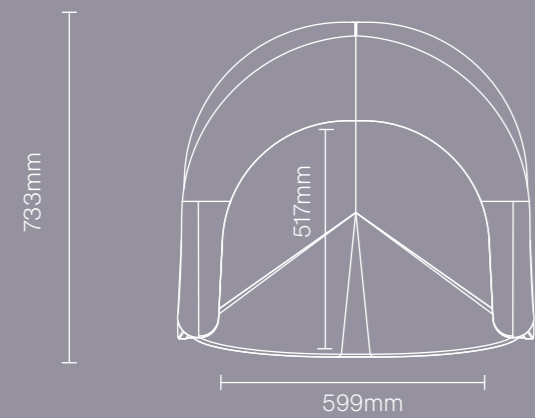


Heavily weighted

KEY FEATURES	OPTIONS
<ul style="list-style-type: none"> → Combines sumptuous wrap-around comfort with durable reinforcement → Plywood reinforcement, including a fully enclosed base to prevent concealment → Fixed seat cushion and anti-stash seams → Heavilyweighted to deter misuse → Reduced-ligature design for safety → Seat rebated into back for additional strength → Teflon glides to base to protect flooring → Birch wood frame as standard, similar to our Rock range → Strength and stability tested for contract use 	<ul style="list-style-type: none"> → Only available in a Plus version only → Wide choice of water-resistant upholstery 

Reduced-ligature design





See for yourself...

To arrange a demonstration or book a visit to our showroom, please call +44 (0)1622 237830

Pineapple, Westmead, Aylesford, Maidstone, Kent, ME20 6XJ

T +44 (0)1622 237830

E sales@pineapplecontracts.com

W uk.pineapplecontracts.com

Pineapple