

**RYNO<sup>®</sup>**

Combo

Table



**Pineapple**



Combining extreme strength and durability with a welcoming aesthetic, the pioneering Ryno® range was first introduced over a decade ago, beginning with a revolutionary heavily weighted Ryno dining table.

The addition of the Ryno Combo table brings further flexibility to the range, which is available in three different top sizes (two of which are wheelchair accessible), along with a wide range of versatile base colours. An outdoor-suitable version is also available, providing the same robust performance for exterior dining environments.

Like all Ryno products, the Combo table base is made from waterproof, impact-resistant rotationally moulded polyethylene,

formed from a single piece to eliminate joints or seams that could otherwise become points of weakness.

Compared with a conventional four-legged table, the Combo table's monobloc pedestal base design reduces the risk of damage and helps to protect users and staff from harm.

Indoor suitable table tops are available in a choice of Grey or Hickory finishes, surrounded by a soft-touch polyurethane edge. Additional options include laminate tops with matching edges, or a stylish bevelled plywood edge.



# RYNO® COMBO TABLE - INDOOR



**Ryno Combo table with 960 x 960mm top**  
**1RYTP1**  
 773H | 960W | 960D (mm)  
 Floor fixed weight: 32kg  
 Weighted option: 120kg



**Ryno Combo table with 1200 x 1200mm top**  
**1RYPT4**  
 773H | 1200W | 1200D (mm)  
 Standard weight: 47kg  
 Weighted option: 135kg



**Ryno Combo table with 2400 x 1200mm top**  
**1RYPT6**  
 773H | 2400W | 1200D (mm)  
 Standard weight: 99kg  
 Weighted option: 275kg

-  Lifetime guarantee
-  Weighted to deter misuse
-  Fire retardant
-  100% LDPE base
-  Indoor use
-  Floor fixed option
-  719mm Under table

## KEY FEATURES

- Durable polyethylene pedestal base is damage-resistant, reduces ligature risks and cannot be weaponised unlike conventional table legs
- Hygienic wipe-clean laminate table top with anti-spill edging
- Smoothly rounded edges with soft-touch edging for safety
- Suitable for indoor use only
- 719mm space between the floor and underside of the table
- Polyethylene material is compliant with flammability standards UL94 HB & BS 5852:2006
- Security fixings supplied as standard

## OPTIONS

- Heavily weighted or hidden floor fixing option
- Grey-edged top available in Hickory and Grey. Additional options (laminate, plywood edge) also available
- Optionally made with 40% recycled content
- Base available in several versatile colors:

 → Core colour



Minimum order quantity of 12 units

Plywood edged laminate option



# RYNO® COMBO TABLE - OUTDOOR










**Ryno Combo table with 960 x 960mm top**  
**1RYTP01**  
 770H | 960W | 960D (mm)  
 Floor fixed option: 47kg  
 Weighted option: 135kg



**Ryno Combo table with 1200 x 1200mm top**  
**1RYTP04**  
 770H | 1200W | 1200D (mm)  
 Floor fixed option: 56kg  
 Weighted option: 145kg



**Ryno Combo table with 2400 x 1200mm top**  
**1RYTP06**  
 770H | 2400W | 1200D (mm)  
 Floor fixed option: 111kg  
 Weighted option: 199kg

-  Lifetime guarantee
-  Weighted to deter misuse
-  Fire retardant
-  100% LDPE base
-  Weatherproof
-  Floor fixed option
-  745mm Under table


## KEY FEATURES

- Durable polyethylene pedestal base is damage-resistant, reduces ligature risks and cannot be weaponised unlike conventional table legs
- Hygienic wipe-clean 25mm thick solid grade laminate (SGL) tabletop with flush edging for effective water run-off
- Smoothly rounded edges with soft-touch edging for safety
- Suitable for both indoor and outdoor use
- 745mm space between the floor and underside of the table
- Polyethylene material is compliant with flammability standards UL94 HB & BS 5852:2006
- Security fixings supplied as standard

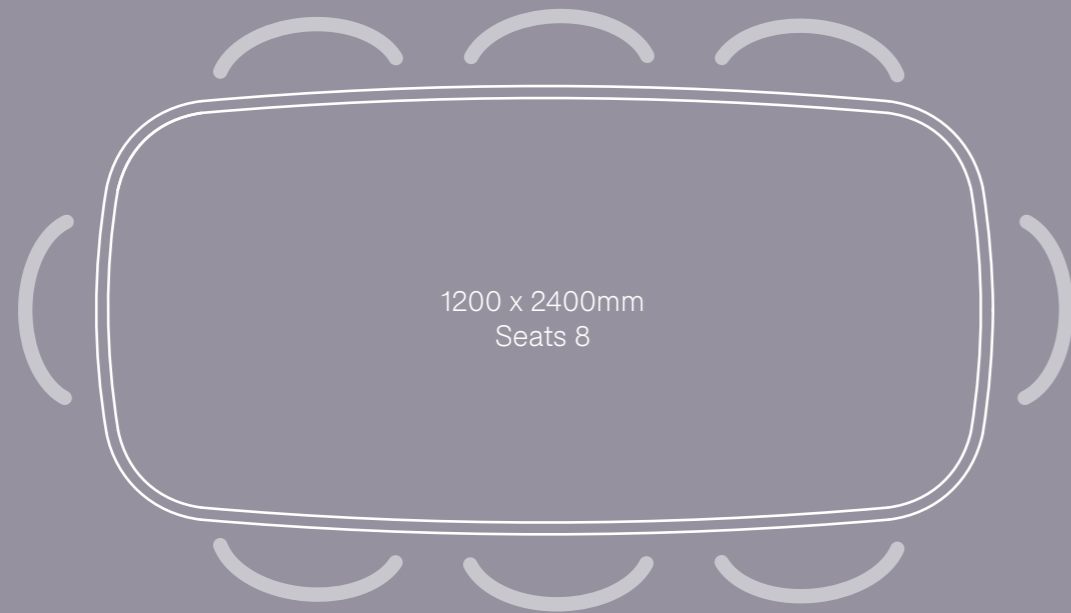
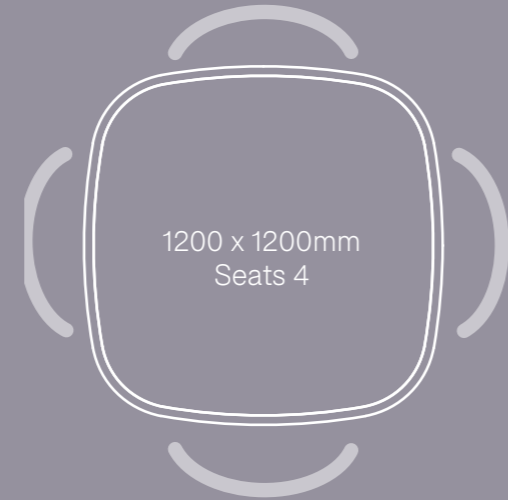
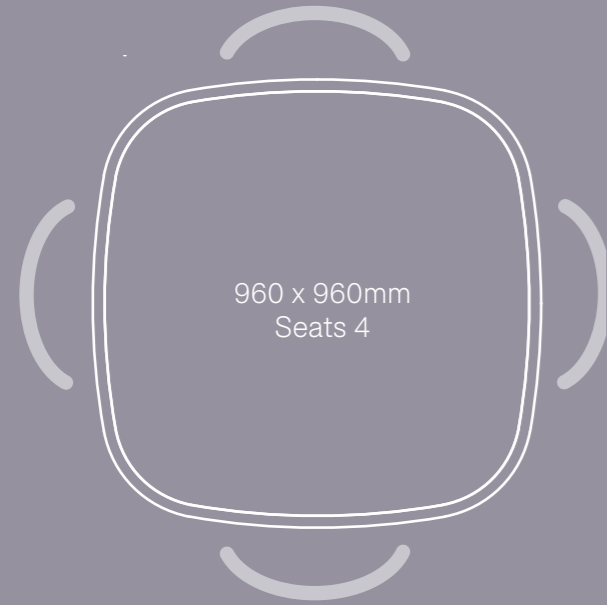
## OPTIONS

- Available with either a heavily weighted base or hidden floor-fixing option; unweighted versions are not available due to stability and safety requirements
- SGL tabletop available in grey with Moonwalk Grey PU edging only
- Optionally made with 40% recycled content
- Base available in several versatile colors:

→ Core colour



Minimum order quantity of 12 units





# See for yourself...

To arrange a demonstration or book a visit to our showroom, please call +44 (0)1622 237830

Pineapple, Westmead, Aylesford, Maidstone, Kent, ME20 6XJ

**T** +44 (0)1622 237830

**E** [sales@pineapplecontracts.com](mailto:sales@pineapplecontracts.com)

**W** [uk.pineapplecontracts.com](http://uk.pineapplecontracts.com)

**Pineapple**